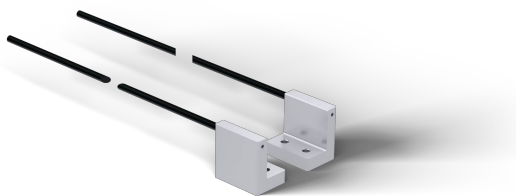


Plastic Fiber-Optic Cable

Through-Beam Mode

FTL02-2M-10

Part Number

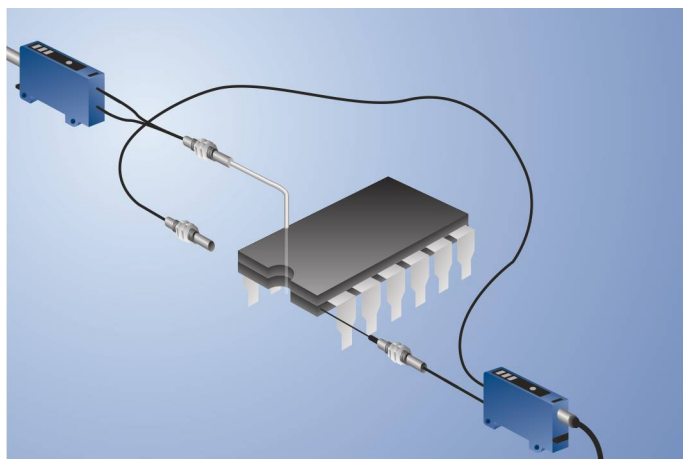


- Especially suitable in applications where only minimal space is available
- Fiber-optic cable can be cut to length by the cutting tool

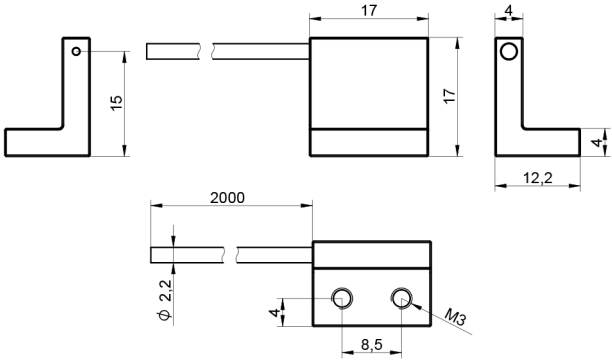
Technical Data

Optical Data	
Fiber Core Diameter	1 mm
Fiber	Step Index
Fiber Distribution	parallel arrangement
Range with P1XD0xx	500 mm
Range P1XD10x/11x	670 mm
Range P1XD12x/13x	600 mm
Range P1XD2xx red light	580 mm
Range P1XD2xx blue light	720 mm
Range P1XD2xx pink light	800 mm
Mechanical Data	
Cable type	Standard
Temperature Range	-40...70 °C
Bending Radius	30 mm
Fiber-Optic Length L	2 m
Jacket Material	Plastic, PE
Fiber Optic Material	Plastic, PMMA
Material End Sleeve	Stainless steel, V2A (1.4305/303)
End sleeve shape	L-shape
Jacket Diameter	2,2 mm
Light Emission	straight
End Sleeve No.	FTL02
Packaging unit	2 Pieces
Scope of delivery	1 × Z0015 cutting tool 2 × fiber-optic cables

Plastic fiber-optic cables are very flexible and suitable for use in confined spaces. The fiber optics are supplied in 2 m lengths. Special lengths of up to 50 m are possible. Users can shorten the fiber optics using the Z0015 cutting tool.



FTL02-2M-10



All dimensions in mm (1 mm = 0.03937 Inch)