

# Plastic Fiber-Optic Cable

Reflex Mode

## FRS08-2M-10

Part Number



- Especially suitable in applications where only minimal space is available
- Fiber-optic cable can be cut to length by the cutting tool

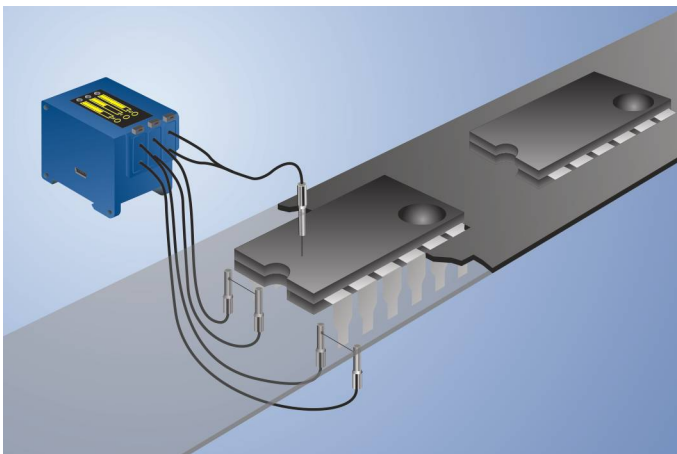
### Technical Data

Optical Data	
Fiber Core Diameter	1 mm
Fiber	Step Index
Fiber Distribution	parallel arrangement
Detection range with P1XD0xx	75 mm
Detection range P1XD10x/11x	90 mm
Detection range P1XD12x/13x	85 mm
Detection range P1XD2xx red light	75 mm
Detection range P1XD2xx blue light	95 mm
Detection range P1XD2xx pink light	120 mm
Opening Angle	55 °
Mechanical Data	
Cable type	Standard
Temperature Range	-40...70 °C
Bending Radius	20 mm
Fiber-Optic Length L	2 m
Jacket Material	Plastic, PE
Fiber Optic Material	Plastic, PMMA
End sleeve shape	Standard
Material End Sleeve	Stainless steel, V2A (1.4305/303)
Jacket Diameter	2,2 mm
Light Emission	sidewise
End Sleeve No.	FRS08
Packaging unit	1 Piece
Scope of delivery	1 × fiber-optic cable 1 × Z0015 cutting tool

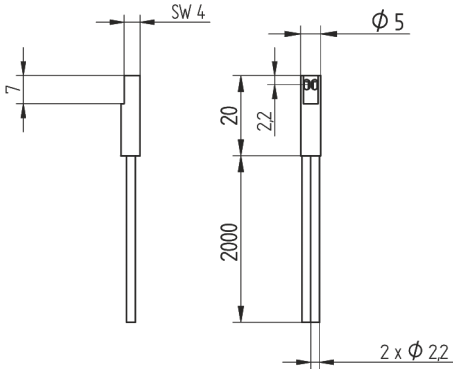
Suitable Mounting Technology No.

280

Plastic fiber-optic cables are very flexible and suitable for use in confined spaces. The fiber optics are supplied in 2 m lengths. Special lengths of up to 50 m are possible. Users can shorten the fiber optics using the Z0015 cutting tool.



**FRS08-2M-10**



All dimensions in mm (1 mm = 0.03937 Inch)

