

Laser Distance Sensor

Time of Flight

P1PY207S01

Part Number

der wintec.



- Analog output 0...10 V
- Graphical display for easy operation
- No interactive influence
- Wide working range and precise detection thanks to DS technology
- Wireless settings via Bluetooth

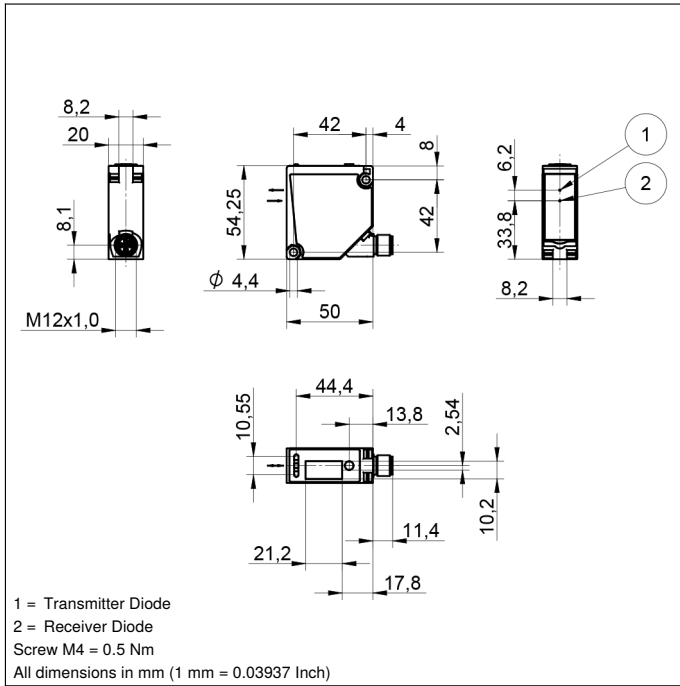
The sensors function in accordance with the principle of transit time measurement with laser class 1. wintec with Dynamic Sensitivity technology (DS) enables previously unattainable reception sensitivity even with very weak signals. As a result, the sensors have a large working range of up to 10 m and can reliably detect dark or shiny objects even at extreme angles. wintec also works very reliably in adverse ambient conditions, such as those caused by ambient light or contamination. Extensive condition monitoring functions additionally enable predictive maintenance and trouble-free operation. Settings are entered via the easy-to-read OLED display or via Bluetooth using the weCon app.



Technical Data

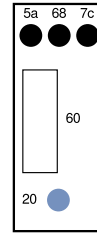
Optical Data	
Working Range	0...10000 mm
Measuring Range	50...10000 mm
Reproducibility maximum	3 mm*
Linearity Deviation	10 mm*
Light Source	Laser (red)
Wavelength	660 nm
Service Life (T = +25 °C)	100000 h
Laser Class (EN 60825-1)	1
Beam Divergence	< 2 mrad
Max. Ambient Light	100000 Lux
Light Spot Diameter	see Table 1
Reflector required	no
Electrical Data	
Supply Voltage	18...30 V DC
Current Consumption (U _b = 24 V)	< 60 mA
Measuring Rate	100 /s*
Measuring Rate (max.)	500 /s*
Temperature Drift	< 0,4 mm/K
Temperature Range	-40...50 °C
Analog Output	0...10 V
Short Circuit Protection	yes
Reverse Polarity Protection	yes
Overload Protection	yes
Protection Class	III
Mechanical Data	
Setting Method	(OLED)/Bluetooth menu
Housing Material	Plastic, ABS
Optic Cover	Plastic, PMMA
Degree of Protection	IP67/IP68
Connection	M12 × 1; 4/5-pin
Safety-relevant Data	
MTTFd (EN ISO 13849-1)	349,11 a
Error Output	●
Analog Output	●
Connection Diagram No.	276
Control Panel No.	X6
Suitable Connection Equipment No.	2 35
Suitable Mounting Technology No.	380

* Depends on mode, see table 2

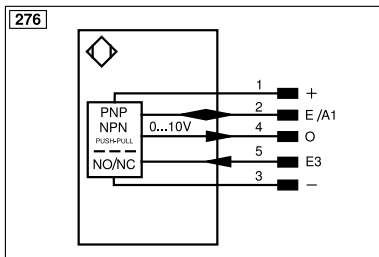


Ctrl. Panel

X6



20 = Enter key
 5a = Switching Status Indicator, A1
 60 = display
 68 = supply voltage indicator
 7c = Analog Output Indicator, O



- = supply voltage 0 V
 + = supply voltage +
 E/A1 = programmable input/output / IO-Link
 E3 = input
 O = analog output

Mode	White working range	Gray working range	Black working range	Measuring rate	Maximum reproducibility	Linearity deviation	Low signal detection
Speed	0...10000 mm	0...9000 mm	0...7000 mm	500/s	5 mm	15 mm	+
Precision (default)	0...10000 mm	0...10000 mm	0...8000 mm	100/s	3 mm	10 mm	++
Precision Plus	0...10000 mm	0...10000 mm	0...8000 mm	50/s	3 mm	10 mm	+++

Table 2

Table 1

Working Distance	0 m	5 m	10 m
Light Spot Diameter	5 mm	10 mm	15 mm

