

Angle Changer Medium, Polarized

±17° beam angle, for LRLxxxx ring light 37 mm

ZRLG102

Part Number



Technical Data

Optical Data

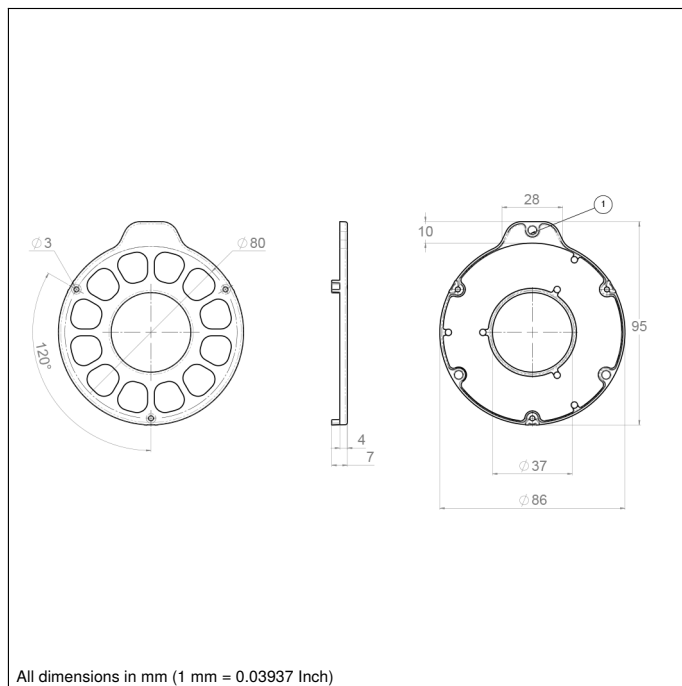
Beam angle	± 17 °
Polarization Filter	yes

Mechanical Data

Housing Material	Plastic, ABS
Housing Material	Plastic, PC
Housing Material	Plastic, PVAL
Housing Material	Plastic, TAC

- Increased homogeneity
- Long-term mounting with screws
- Magnetic mounting for test purposes
- Quick and easy beam-angle change, ideal for project changes and feasibility studies

wenglor ZRLGxx is an optical accessory for the LRL ring lights. These are small optical diffusers that increase the beam angle of the bar light. This gives the user first-class flexibility with a single light source. The angle changer increases the beam angle of the LRL ring lights up to the value of the aperture angle specified in the data sheet.



Complementary Products

Ring Illuminator

