

# Polarization Filter for LRLxxxx ring light 37 mm

## ZRLG104

Part Number



### Technical Data

#### Optical Data

Polarization Filter yes

#### Mechanical Data

Housing Material Plastic, ABS

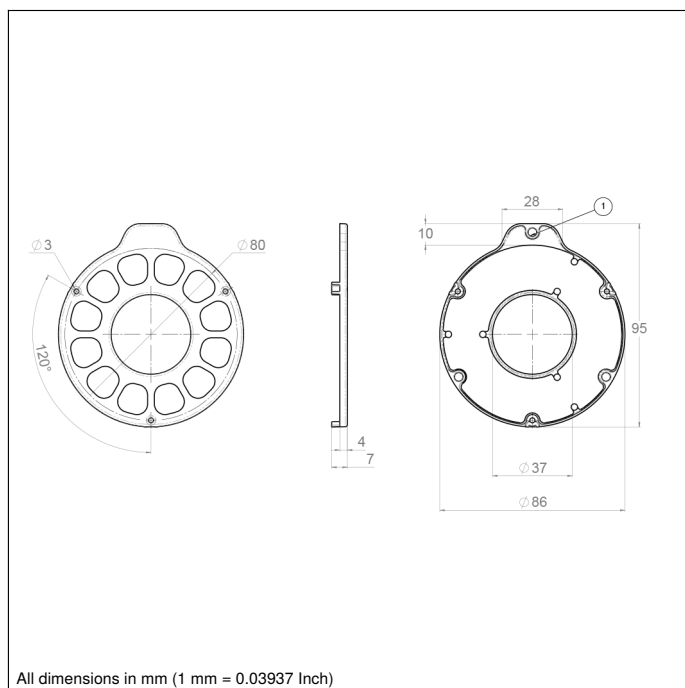
Housing Material Plastic, PC

Housing Material Plastic, PVAL

Housing Material Plastic, TAC

- Increased homogeneity
- Long-term mounting with screws
- Magnetic mounting for test purposes
- Quick and easy beam-angle change, ideal for project changes and feasibility studies

wenglor ZRLGxx is an optical accessory for the LRL ring lights. These are small optical diffusers that increase the beam angle of the bar light. This gives the user first-class flexibility with a single light source. The angle changer increases the beam angle of the LRL ring lights up to the value of the aperture angle specified in the data sheet.



### Complementary Products

Ring Illuminator

