

Angle Changer Medium, Polarized

± 17° beam angle, for LBTxxxx bar light

ZBTG102

Part Number

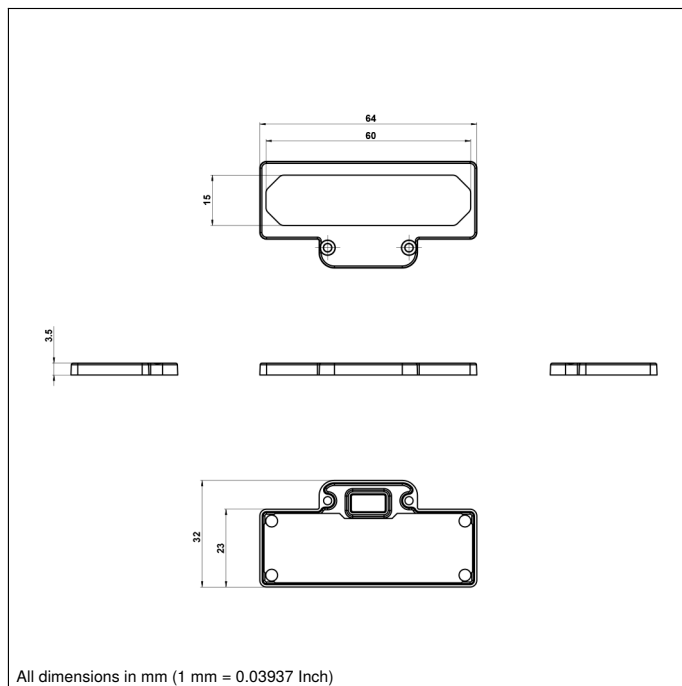


Technical Data

Optical Data	
Beam angle	± 17 °
Polarization Filter	yes
Mechanical Data	
Housing Material	Plastic, ABS
Housing Material	Plastic, PC
Housing Material	Plastic, PVAL
Housing Material	Plastic, TAC

- Increased homogeneity
- Long-term mounting with screws
- Magnetic mounting for test purposes
- Quick and easy beam-angle change, ideal for project changes and feasibility studies

wenglor ZBTGxx is an optical accessory for the LBT bar lights. These are small optical diffusers that increase the beam angle of the bar light. This gives the user first-class flexibility with a single light source. The angle changer increases the beam angle of the LBT mini bar lights up to the value of the aperture angle specified in the data sheet.



Complementary Products

Bar light

