



ZBTGxxx

OPERATING INSTRUCTIONS

wenglorTPL

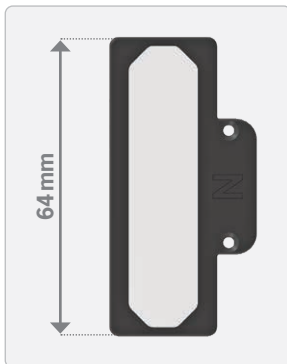
PREAMBLE

This Technical User Guide contains warnings and guidance for correct and safe operation of the product. These instructions must be followed at all times. wenglorTPL will not be held responsible for problems caused by using the product contrary to these instructions and the Warranty will be deemed invalid.

UNPACKING

This product is packed at the factory using suitable materials for safe transport. To open the package, do not use any cutting blade to avoid damaging the product(s). Please use the delivered accessories if needed. (Do not use any other products or equivalents to replace the delivered accessories). In the event of damage occurring during shipping, it must be reported to the carrier at time of delivery (including noting the damage in writing on the delivery documents). It is also your responsibility to notify wenglorTPL in writing of the damage within 24 hours of receipt of the package. If these instructions are not followed, wenglorTPL reserves the right not to accept requests for return and exchange of damaged products.

DESCRIPTION



The Angle Changer product will **WIDEN THE BEAM** of your LBTxxx product. References available:

- ZBTG001 – Narrow Beam
- ZBTG002 – Medium Beam
- ZBTG003 – Wide Beam
- ZBTG004 – Linelight effect
- ZBTG005 – This does not change beam angle, but only polarises the light source.
- ZBTG101 – Narrow Beam, polarised
- ZBTG102 – Medium Beam, polarised
- ZBTG103 – Wide Beam, polarised
- ZBTG104 – Linelight effect, polarised



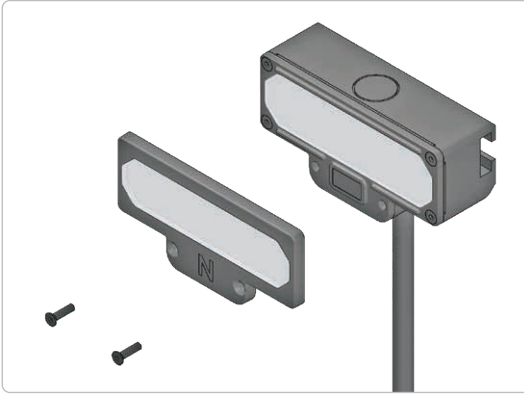
← PRODUCT CONFIGURATION IS MARKED ON THE ANGLE CHANGER.
(Narrow: N / Medium: M / Wide: W / Line: L / Polarised: P1)



NOTE: wenglorTPL Angle Changers only increase the angle of the light.

They cannot focus the light more than that provided by the embedded lenses.

■ HOW TO ATTACH THE ANGLE CHANGER TO YOUR BAR



- ❶ – Use the magnet to align the Angle Changer in place on the bar light.
- ❷ – Angle Changer good for use. You can turn on the light.
- ❸ – Use screws supplied with the bar light (M2x8) to secure Angle Changer in place (recommended for final light installation).

wenglor TPL

wenglor Straße 3
88069 Tettnang
Germany



+49 (0)7542 5399 800

support@wenglor.com

www.wenglor.com