

Flat Light

red light, 1000 × 600 mm

LBBR906

Part Number



- Easy and flexible installation
- High homogeneity
- High performance: high intensity even in continuous mode
- No external control required

wenglor LBB backlights are ideally suited for Vision applications (e.g. silhouette lighting) in areas from 200 × 200 mm. They can be used in continuous mode or synchronized with the Machine Vision Camera in strobe mode via PNP or NPN inputs. Thanks to their diffused light, the backlights are ideal for applications with transmitted light or incident light. The illumination is extremely homogeneous with very small edges (4°mm), so the usable surface is very large and integration is very easy – thanks, among other things, to the T-slot mounting and anchor point on the entire housing of the illumination.

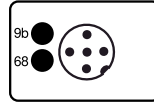
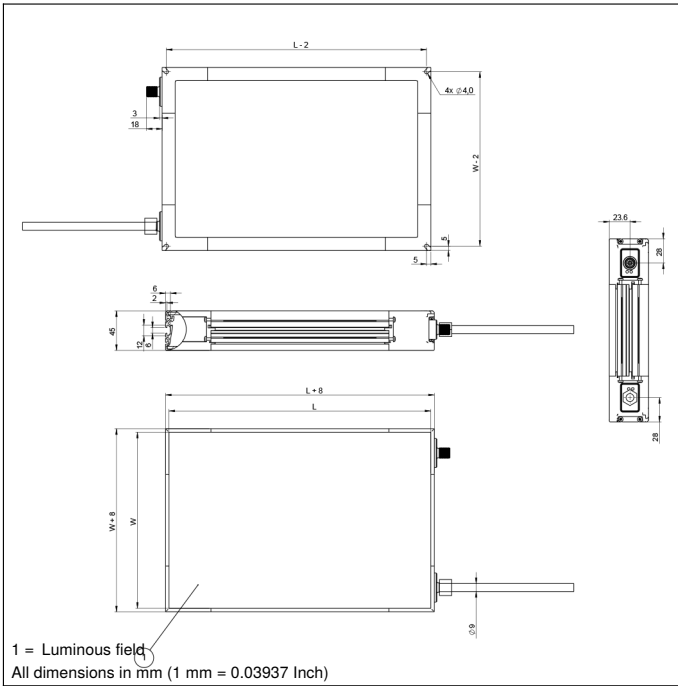
Technical Data

Optical Data	
Light Source	Red Light
Wavelength	630 nm
Red light output	144 W/m ²
Environmental conditions	
Temperature Range	-10...40 °C
Storage temperature	-20...60 °C
Electrical Data	
Supply Voltage	21,6...26,4 V DC
Power	338,4 W
Current Consumption Continuous Mode (U _b = 24 V)	14,1 A
Rise time	15 μs
Fall time	10 μs
Input signal	PNP/NPN
Short Circuit Protection	yes
Reverse Polarity Protection	yes
Overload Protection	yes
Protection Class	III
Dimming	0...10 V ± 100...30%
Overdrive	no
Mechanical Data	
Luminous Field Length (L)	1000 mm
Luminous Field Width (W)	600 mm
Luminous Field	1000 × 600 mm
Housing Material	Aluminum, anodised
Housing Material	Plastic, ABS/GF
Degree of Protection	IP50
UL Enclosure Type	1
Optic Cover	Plastic, PMMA
Connection	M12 × 1; 5-pin
Max. cable length	10 m
Function	
Operating modes	Continuous, Strobe
Connection Diagram No.	007
Control Panel No.	T16
Suitable Mounting Technology No.	926

Complementary Products

ZBBX001 Mounting bracket

Ctrl. Panel

T16

 68 = Power LED
 9b = Strobe Mode Indicator


Legend					
+	Supply Voltage +	nc	Not connected	EN _{BRS422}	Encoder B/Ĕ (TTL)
-	Supply Voltage 0 V	U	Test Input	ENA	Encoder A
~	Supply Voltage (AC Voltage)	Ū	Test Input inverted	EN _b	Encoder B
A	Switching Output (NO)	W	Trigger Input	AMIN	Digital output MIN
Ā	Switching Output (NC)	W-	Ground for the Trigger Input	AMAX	Digital output MAX
V	Contamination/Error Output (NO)	O	Analog Output	AOK	Digital output OK
Ū	Contamination/Error Output (NC)	O-	Ground for the Analog Output	SY In	Synchronization In
E	Input (analog or digital)	BZ	Block Discharge	SY OUT	Synchronization OUT
T	Teach Input	Amv	Valve Output	OLT	Brightness output
Z	Time Delay (activation)	a	Valve Control Output +	M	Maintenance
S	Shielding	b	Valve Control Output 0 V	rsv	Reserved
RxD	Interface Receive Path	SY	Synchronization	Wire Colors according to DIN IEC 60757	
TxD	Interface Send Path	SY-	Ground for the Synchronization	BK	Black
RDY	Ready	E+	Receiver-Line	BN	Brown
GND	Ground	S+	Emitter-Line	RD	Red
CL	Clock	±	Grounding	OG	Orange
E/A	Output/Input programmable	SnR	Switching Distance Reduction	YE	Yellow
IO-Link	IO-Link	Rx+/-	Ethernet Receive Path	GN	Green
PoE	Power over Ethernet	Tx+/-	Ethernet Send Path	BU	Blue
IN	Safety Input	Bus	Interfaces-Bus A(+)/B(-)	VT	Violet
OSSD	Safety Output	La	Emitted Light disengageable	GY	Grey
Signal	Signal Output	Mag	Magnet activation	WH	White
BI_D+/-	Ethernet Gigabit bidirect. data line (A-D)	RES	Input confirmation	PK	Pink
EN _o RS422	Encoder 0-pulse 0/0 (TTL)	EDM	Contacting Monitoring	GNYE	Green/Yellow
PT	Platinum measuring resistor	EN _{ARS422}	Encoder A/Ā (TTL)		

