

## Z89Q008



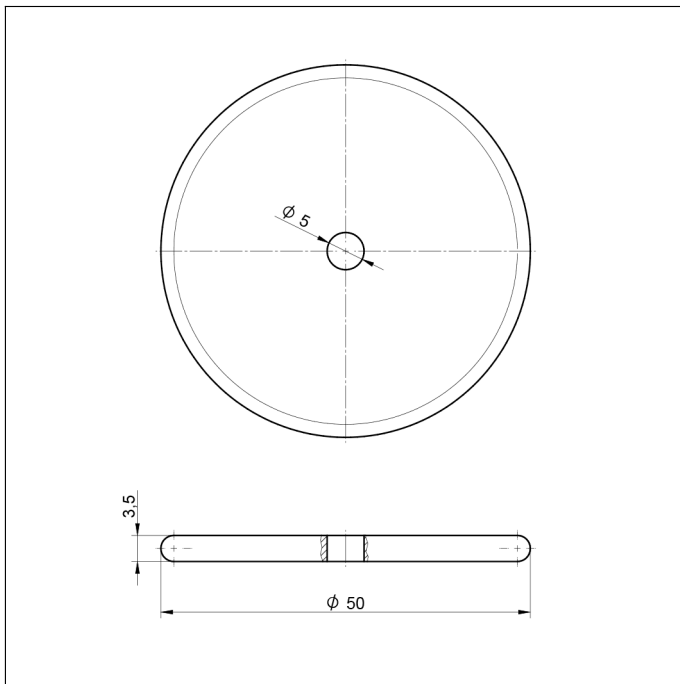
### RFID data

Storage Capacity	2000 Bytes
Configuration memory	48 Bytes
Storage organization	256 x 8 Bytes
UID serial number	8 Bytes
Frequency band	13,56 MHz
Max. writing cycles	100000

### Mechanical Data

Installation Type	On metal-free materials
Material	Plastic, PPA
Degree of Protection	IP68
Degree of Protection	IP69K
Temperature Range	-25...80 °C
Storage temperature	-40...90 °C
Packaging unit	1 Piece

- Frequency band 13.56 MHz
- High degree of protection
- Passive data carrier
- Resistant to high temperature
- Rugged housing design



These passive RFID transponders enable contactless data processing with an RFID reader without the need for a separate power supply. The power supply is provided via the connection with an RFID reader. The RFID chip in the transponder has a globally unique identification number that can be read but not overwritten. With a frequency band of 13.56 MHz, RFID - transponders offer a reliable identification solution for short-range applications.