

Visible Bandpass Filter for C mount lens

ZVZG204

Part Number



Technical Data

Optical Data

Usable wavelength range	405...690 nm
Maximum transmission	≥ 90 %
Half-value width FWHM	300 nm
Tolerance	± 10 nm

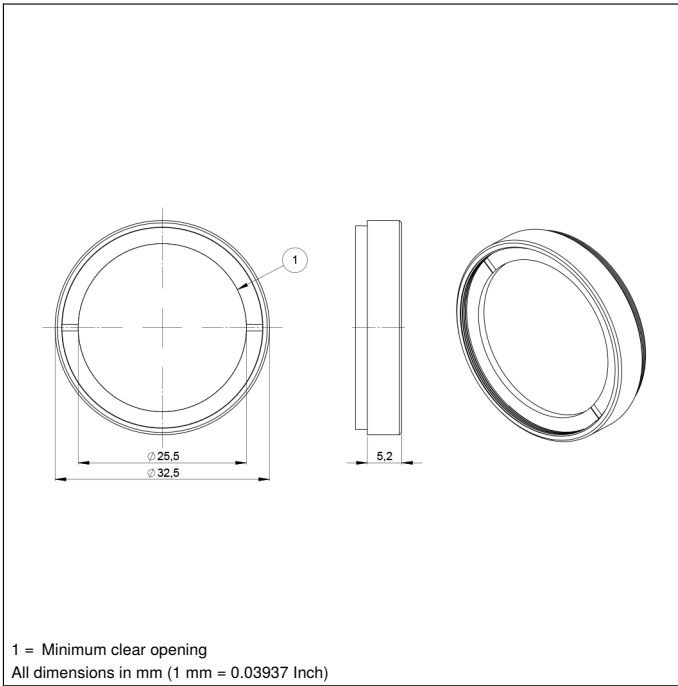
Mechanical Data

Mounting type, device-side	can be screwed
Material	Aluminum, painted
Material	Glass, borosilicate
Pane coating	dichroic, anti-reflective
Filter Screw Size	M30,5 × 0,5 mm
Temperature Range	-40...300 °C
Surface quality	40/20
Packaging unit	1 Piece

Bandpass filters for the visible area block all light, except visible wavelengths, without discoloring the image. They are recommended for use in applications with white light and color where there may be interference from IR and/or UV light.

Complementary Products

Lens



Transmission curve

