

# Red Bandpass Filter

for C mount lens

## ZVZG207

Part Number



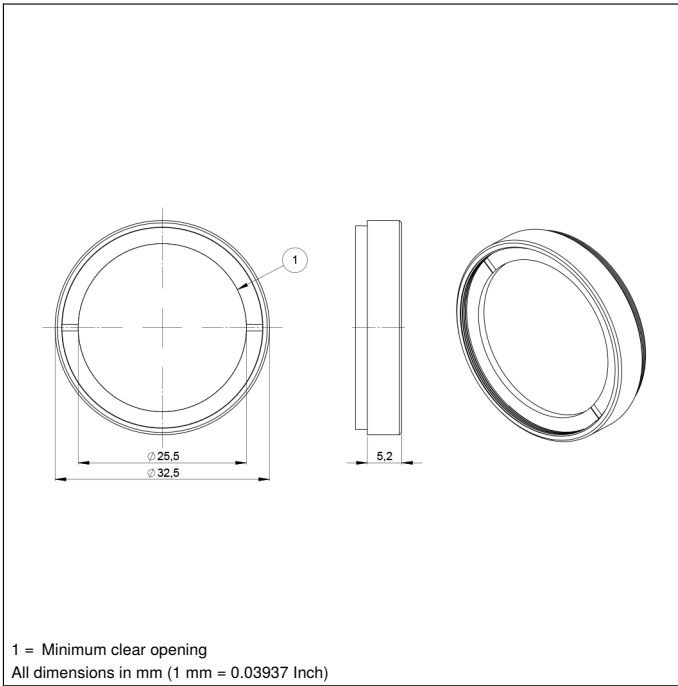
### Technical Data

| Optical Data               |                           |
|----------------------------|---------------------------|
| Usable wavelength range    | 615...645 nm              |
| Maximum transmission       | ≥ 90 %                    |
| Half-value width FWHM      | 60 nm                     |
| Tolerance                  | ± 10 nm                   |
| Mechanical Data            |                           |
| Mounting type, device-side | can be screwed            |
| Material                   | Aluminum, painted         |
| Material                   | Glass                     |
| Pane coating               | dichroic, anti-reflective |
| Filter Screw Size          | M30,5 × 0,5 mm            |
| Temperature Range          | -40...300 °C              |
| Surface quality            | 40/20                     |
| Packaging unit             | 1 Piece                   |

Bandpass filters for red light are recommended when using red illumination. With image processing applications that use red light, interfering ambient light is filtered out, making the application more robust.

### Complementary Products

Lens



### Transmission curve

