

Polarization Filter

for C mount lens

ZVZG202

Part Number



Technical Data

Optical Data

Type of polarization	Linear
Usable wavelength range	400...700 nm
Contrast ratio	3000:1

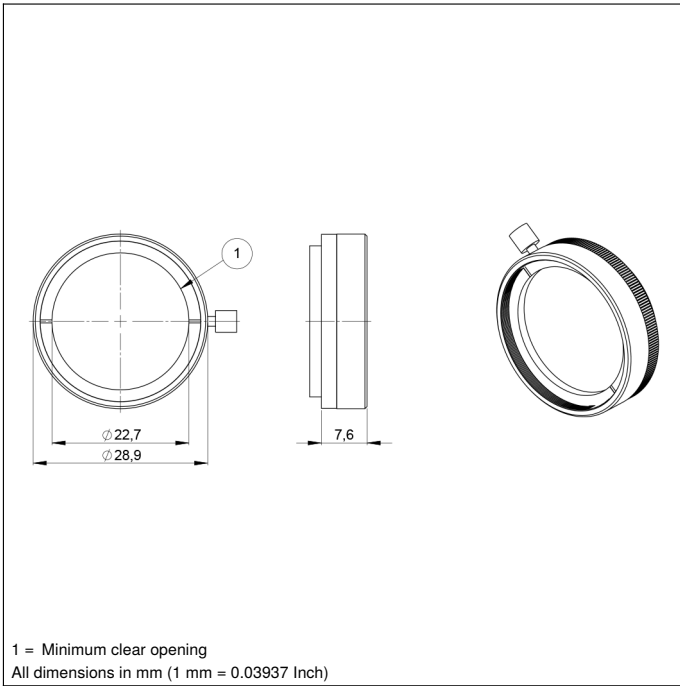
Mechanical Data

Mounting type, device-side	can be screwed
Material	Aluminum, painted
Material	Glass
Pane coating	anti-reflective
Filter Screw Size	M27 × 0,5 mm
Temperature Range	-20...70 °C
Surface quality	40/20
Packaging unit	1 Piece

Linear polarization filters (also called rotating polarization filters) are used to eliminate or greatly reduce reflections. By rotating the frame and visually observing the result, you can determine the position where the glare effects are lowest. The locking screw ensures that the filter remains optimally positioned in the event of vibrations or accidental movements during cleaning. Polarization filters for external illumination must be ordered separately.

Complementary Products

Lens



Transmission curve

