

Laser Distance Sensor

Triangulation

P3PC012

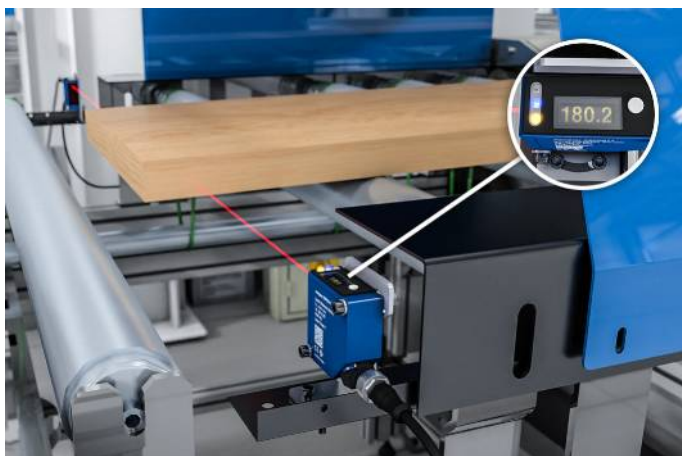
Part Number

inspect
award 2024



- Analog output 0...10 V
- Graphical display for easy operation
- Measured value independent of material, color and brightness
- Rugged aluminium housing
- Wireless settings via Bluetooth

These laser distance sensors work with a fine red light beam and a high-resolution CMOS line. They determine the distance between the sensor and the object by means of the triangulation principle. Thanks to the integrated TripleA technology, the sensors offer high precision, temperature stability and material independence. This means they deliver accurate results even with objects of different materials, colors and shapes, as well as in fluctuating light and temperature conditions. Settings are entered via the easy-to-read OLED display or via Bluetooth using the weCon app.



Technical Data

Optical Data	
Working Range	30...80 mm
Measuring Range	30...80 mm
Reproducibility maximum	13 μm
Reproducibility: 1 Sigma	0,8 μm
Linearity Deviation	40 μm
Light Source	Laser (red)
Wavelength	655 nm
Service Life (T = +25 °C)	100000 h
Laser Class (EN 60825-1)	1
Max. Ambient Light	20000 Lux
Light Spot Diameter	see Table 1

Electrical Data	
Supply Voltage	18...30 V DC
Current Consumption (U _b = 24 V)	< 60 mA
Measuring Rate	2500 /s
Response Time	< 0,5 ms
Temperature Drift	< 2,5 $\mu\text{m}/\text{K}$
Temperature Range	-30...60 °C
Analog Output	0...10 V
Short Circuit Protection	yes
Reverse Polarity Protection	yes
Overload Protection	yes
Interface	IO-Link V1.1
IO-Link Version	1.1
IO-Link transmission speed	COM3
Protection Class	III
FDA Accession Number	2310674-000

Mechanical Data	
Setting Method	(OLED)/Bluetooth menu
Housing Material	Aluminum, anodised
Housing Material	Plastic, ABS
Degree of Protection	IP67
Connection	M12 × 1; 5-pin
Optic Cover	Plastic, PMMA

Safety-relevant Data	
MTTFd (EN ISO 13849-1)	408,4 a

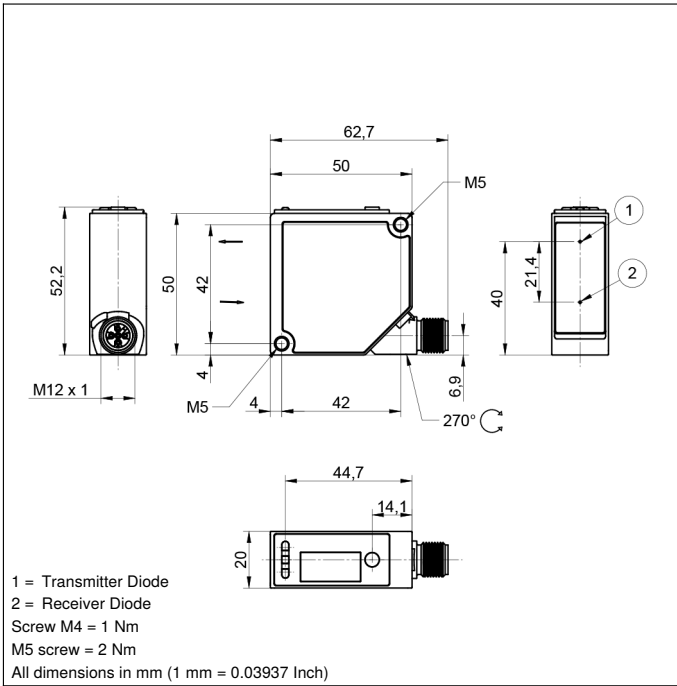
Error Output	●
Analog Output	●
IO-Link	●

Connection Diagram No.	241
Control Panel No.	X6
Suitable Connection Equipment No.	2 35
Suitable Mounting Technology No.	380

Display brightness may decrease with age. This does not result in any impairment of the sensor function.

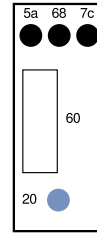
Complementary Products

IO-Link Master	
IO-Link converter	
Protective Screen	
Software	

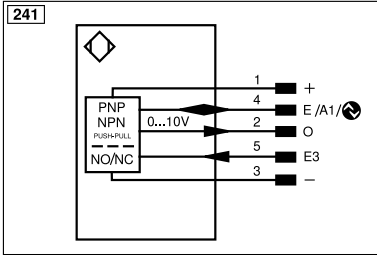


Ctrl. Panel

X6



20 = Enter key
 5a = Switching Status Indicator, A1
 60 = display
 68 = Power LED
 7c = Analog Output Indicator, O



Legend			
+	Supply Voltage +	nc	Not connected
-	Supply Voltage 0 V	U	Test Input
~	Supply Voltage (AC Voltage)	Ü	Test Input inverted
A	Switching Output (NO)	W	Trigger Input
Ā	Switching Output (NC)	W-	Ground for the Trigger Input
V	Contamination/Error Output (NO)	O	Analog Output
ȳ	Contamination/Error Output (NC)	O-	Ground for the Analog Output
E	Input (analog or digital)	BZ	Block Discharge
T	Teach Input	Amv	Valve Output
Z	Time Delay (activation)	a	Valve Control Output +
S	Shielding	b	Valve Control Output 0 V
RxD	Interface Receive Path	SY	Synchronization
TxD	Interface Send Path	SY-	Ground for the Synchronization
RDY	Ready	E+	Receiver-Line
GND	Ground	S+	Emitter-Line
CL	Clock	±	Grounding
E/A	Output/Input programmable	SnR	Switching Distance Reduction
IO-Link		Rx+/-	Ethernet Receive Path
PoE	Power over Ethernet	Tx+/-	Ethernet Send Path
IN	Safety Input	Bus	Interfaces-Bus A(+)/B(-)
OSSD	Safety Output	La	Emitted Light disengageable
Signal	Signal Output	Mag	Magnet activation
BI_D+/-	Ethernet Gigabit bidirect. data line (A-D)	RES	Input confirmation
ENo RS422	Encoder 0-pulse 0/0 (TTL)	EDM	Contactor Monitoring
PT	Platinum measuring resistor	ENARs422	Encoder A/Ā (TTL)
			Wire Colors according to DIN IEC 60757
			BK Black
			BN Brown
			RD Red
			OG Orange
			YE Yellow
			GN Green
			BU Blue
			VT Violet
			GY Grey
			WH White
			PK Pink
			GNYE Green/Yellow

Table 1

Working Distance	30 mm	55 mm	80 mm
Light Spot Diameter	1,5 mm	1,5 mm	1,5 mm

