

# P2KHxxx

**Reflex Sensors with Background Suppression**  
**High-End with Teach-in**



## Operating Instructions

# Table of Contents

<b>1. General</b>	<b>3</b>
1.1 Information Concerning these Instructions	3
1.2 Explanations of Symbols	3
1.3 Limitation of Liability	4
1.4 Copyrights	4
<b>2. For Your Safety</b>	<b>5</b>
2.1 Use for Intended Purpose	5
2.2 Use for Other than the Intended Purpose	5
2.3 Personnel Qualifications	6
2.4 Modification of Products	6
2.5 General Safety Precautions	6
2.6 Laser/LED Warnings	6
2.7 Approvals and protection class	6
<b>3. Technical Data</b>	<b>7</b>
3.1 Spot Diameter	8
3.2 Switching Frequency / Response Time	8
3.2.1 Switching Distance Deviation	8
3.3 Complementary Products	9
3.4 Layout	10
3.5 Control Panel	10
3.6 Scope of Delivery	11
<b>4. Transport and Storage</b>	<b>11</b>
4.1 Transport	11
4.2 Storage	11
<b>5. Installation and Electrical Connection</b>	<b>12</b>
5.1 Installation	12
5.2 Electrical Connection	13
5.3 Diagnostics	14
<b>6. Settings</b>	<b>15</b>
<b>7. Settings via IO-Link</b>	<b>15</b>
7.1 Teach Mode	15
7.1.1 Foreground Teach-In	15
7.1.2 Background Teach-In	16
7.2 Pin Function, I/O2	16
7.2.1 Input External Teach-In	16
7.2.2 Error Output	17
7.3 Additional functions and settings via IO-Link	17
<b>8. I/O-Link</b>	<b>17</b>
<b>9. Maintenance Instructions</b>	<b>17</b>
<b>10. Proper Disposal</b>	<b>18</b>
<b>11. Appendix</b>	<b>18</b>
11.1 List of Abbreviations	18
11.2 Change Index, Operating Instructions	18
11.3 Declarations of Conformity	18

# 1. General

## 1.1 Information Concerning these Instructions

- These instructions apply to the products with ID code P2KHxxx.
- They make it possible to use the product safely and efficiently.
- These instructions are an integral part of the product and must be kept on hand for the entire duration of its service life.
- Local accident prevention regulations and national work safety regulations must be complied with as well.
- The product is subject to further technical development, and thus the information contained in these operating instructions may also be subject to change. The current version can be found at [www.wenglor.com](http://www.wenglor.com) in the product's separate download area.



### NOTE!

The operating instructions must be read carefully before using the product and must be kept on hand for later reference.

## 1.2 Explanations of Symbols

- Safety precautions and warnings are emphasized by means of symbols and attention-getting words.
- Safe use of the product is only possible if these safety precautions and warnings are adhered to.

The safety precautions and warnings are laid out in accordance with the following principle:



---

### Attention-Getting Word! Type and Source of Danger!

Possible consequences in the event that the hazard is disregarded.

- Measures for averting the hazard.

---

The meanings of the attention-getting words, as well as the scope of the associated hazards, are listed below.



---

### DANGER!

This word indicates a hazard with a high degree of risk which, if not avoided, results in death or severe injury.

---



---

### WARNING!

This word indicates a hazard with a medium degree of risk which, if not avoided, may result in death or severe injury.

---



---

### CAUTION!

This word indicates a hazard with a low degree of risk which, if not avoided, may result in minor or moderate injury.

---



---

### ATTENTION!

This word draws attention to a potentially hazardous situation which, if not avoided, may result in property damage.

---



---

### NOTE!

A note draws attention to useful tips and suggestions, as well as information regarding efficient, error-free use.

---

### 1.3 Limitation of Liability

- The product has been developed in consideration of the current state-of-the-art and applicable standards and guidelines. Subject to change without notice.
- A valid declaration of conformity can be accessed at [www.wenglor.com](http://www.wenglor.com) in the product's separate download area.
- wenglor sensoric elektronische Geräte GmbH (hereinafter referred to as "wenglor") excludes all liability in the event of:
  - Non-compliance with the instructions
  - Use of the product for purposes other than those intended
  - Use by untrained personnel
  - Use of unapproved replacement parts
  - Unapproved modification of products
- These operating instructions do not include any guarantees from wenglor with regard to the described procedures or specific product characteristics.
- wenglor assumes no liability for printing errors or other inaccuracies contained in these operating instructions, unless wenglor was verifiably aware of such errors at the point in time at which the operating instructions were prepared.

### 1.4 Copyrights

- The contents of these instructions are protected by copyright law.
- All rights are reserved by wenglor.
- Commercial reproduction or any other commercial use of the provided content and information, in particular graphics and images, is not permitted without previous written consent from wenglor.

## 2. For Your Safety

### 2.1 Use for Intended Purpose

The product is based on the following functional principle:

#### Reflex Sensors with Background Suppression

Reflex sensors with background suppression analyze the light reflected from objects. As these sensors work according to the principle of angular measurement, the color, shape and surface characteristics of the object have almost no influence on the detection range. Even dark objects can be reliably detected against a bright background. The output is switched as soon as an object passes the selected range.

#### This product can be used in the following industry sectors:

- Special machinery manufacturing
- Heavy machinery manufacturing
- Logistics
- Automotive industry
- Food industry
- Packaging industry
- Pharmaceuticals industry
- Plastics industry
- Woodworking industry
- Consumer goods industry
- Paper industry
- Electronics industry
- Glass industry
- Steel industry
- Aviation industry
- Chemicals industry
- Alternative energy
- Raw materials extraction

### 2.2 Use for Other than the Intended Purpose

- Not a safety component in accordance with 2006/42/EC (Machinery Directive)
- The product is not suitable for use in potentially explosive atmospheres.
- The product may only be used with accessories supplied or approved by wenglor, or combined with approved products. A list of approved accessories and combination products can be accessed at [www.wenglor.com](http://www.wenglor.com) on the product detail page.

---

#### **DANGER!**



#### **Risk of personal injury or property damage in case of use for other than the intended purpose!**

- Use for other than the intended purpose may lead to hazardous situations.
- Observe instructions regarding use for intended purpose.
-

## 2.3 Personnel Qualifications

- Suitable technical training is a prerequisite.
- In-house electronics training is required.
- Trained personnel must have uninterrupted access to the operating instructions.



### **DANGER!**

**Risk of personal injury or property damage in case of incorrect initial start-up and maintenance!**

- Personal injury and damage to equipment may occur.
- Adequate training and qualification of personnel.

## 2.4 Modification of Products



### **DANGER!**

**Risk of personal injury or property damage if the product is modified!**

- Personal injury and damage to equipment may occur. Non-observance may result in loss of the CE and/or UKCA marking and the guarantee may be rendered null and void.
- Modification of the product is impermissible.

## 2.5 General Safety Precautions



### **NOTE!**

- These instructions are an integral part of the product and must be kept on hand for the entire duration of its service life.
- In the event of possible changes, the respectively current version of the operating instructions can be accessed at [www.wenglor.com](http://www.wenglor.com) in the product's download area.
- Read the operating instructions carefully before using the product.
- Protect the sensor against contamination and mechanical influences.

## 2.6 Laser/LED Warnings

The respective laser class or LED group is listed in the product's technical data.



### **Laser Class 1 (EN 60825-1)**

Applicable standards and safety regulations must be observed.  
 $P_p = 7 \text{ mW}$ ,  $t = 8 \mu\text{s}$ ,  $\lambda = 680 \text{ nm}$

## 2.7 Approvals and protection class



### 3. Technical Data

Optical Data	
Service life (ambient temp. = +25 °C)	100000 h
Max. permissible ambient light	10000 Lux
Switching Hysteresis	<10 %
Electrical Data	
Supply power	15...30 V DC
IO-Link supply voltage	18...30 V DC
Temperature drift	< 5 %
Switching output voltage drop	< 2 V
Switching output switching current	100 mA
Switching output residual current	< 50 µA
Short-circuit protection	Yes
Reverse polarity protected	Yes
Overload-proof	Yes
Lockable	Yes
Interface	IO-Link
IO-Link version	1.1
Protection class	III
Mechanical Data	
Setting method	Teach-in
Housing material	Stainless steel V4A
Degree of protection	IP68/IP69K
Lens cover	PMMA
ECOLAB	yes

Technical Data		Order Number			
		P2KH			
		016	024	017	031
Range		200 mm		120 mm	
Adjustable Range		30...200 mm		30...120 mm	
Light Source		Red Light		Laser (red)	
Laser Class (EN 60825-1)		-		1	
Spot Diameter		see Table 1		see Table 2	
Current consumption		< 20 mA			
Switching Frequency		see Table 1			
Response Time		see Table 1			
Temperature range		-40...60 °C		-40...50 °C	
Output function	PNP NO	x		x	
	NPN NO		x		x
	Configurable	x	x	x	x
Connection		M8×1			
MTTFd (EN ISO 13849-1)		1496,09a		1465,85a	
Connection Diagram No.		221			
Suitable Mounting Technology No.		7			

### 3.1 Spot Diameter

Range	30 mm	120 mm	200 mm
Spot diameter	9 mm	7 mm	13 mm

Table 1

Range	40 mm	80 mm	120 mm
Spot diameter	2,5 mm	1,5 mm	1 mm

Table 2

### 3.2 Switching Frequency / Response Time

The switching frequency and the response time are depending on 2 settings: operating mode and switching outputs. The following values result according to the setting:

Operating Mode	Outputs	
	2 independent switching outputs	1 switching output
Switching Frequency (Standard Mode)	100 Hz*	1000 Hz
Response Time (Standard Mode)	5 ms*	0,5 ms
Switching Frequency (Interference-free Mode)	50 Hz	500 Hz
Response Time (Interference-free Mode)	10 ms	1 ms

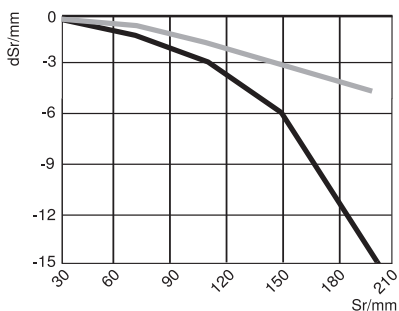
\*preset configuration

Table 3

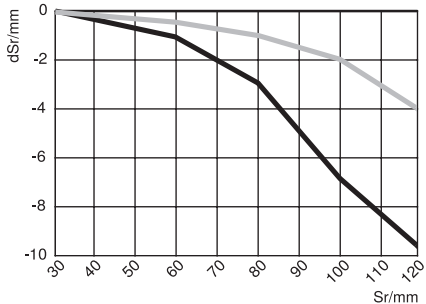
#### 3.2.1 Switching Distance Deviation

Typical characteristic curve based on Kodak white (90 % remission).

P2KH016, P2KH024



P2KH017, P2KH031



Sr = Switching Distance  
dSr = Switching Distance Change  
Black 6 % remission  
Grey 18 % remission

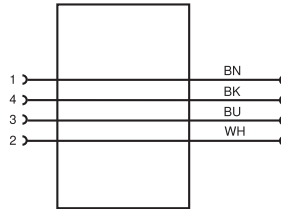
### 3.3 Complementary Products

wenglor can provide you with suitable connection technology for your product.

Suitable mounting technology no. **400**

Suitable connection technology no. **7**

12



IO-Link master EFBL001, EFBL003, EP0L001

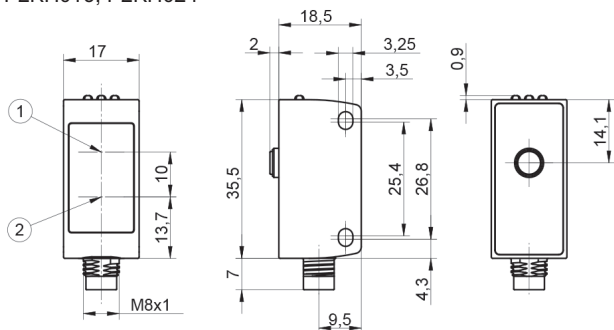
wTeach2 software DNNF005

Software IO-Link Device Tool DNNF019

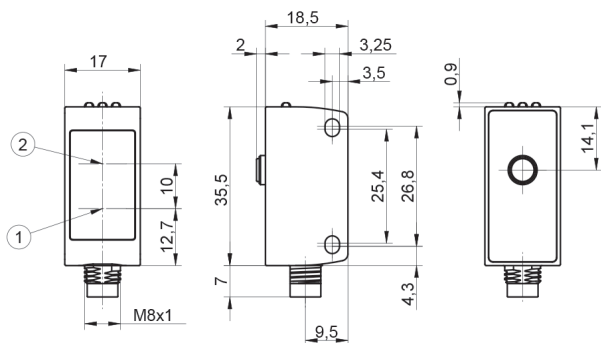
Hygienically designed screws BEF-SET-48

### 3.4 Layout

P2KH016, P2KH024



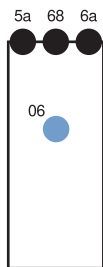
P2KH017, P2KH031



- ① = Emitter diode
- ② = Receiving diode
- Screw M3 = 0,5 Nm
- Plug M8×1 without snap-fit connection
- Dimensions specified in mm (1 mm = 0,03937 Inch)

### 3.5 Control Panel

A 23



- 5a = switching distance adjuster A1
- 6a = switching distance adjuster A2
- 06 = Teach Button
- 68 = supply power indicator

### 3.6 Scope of Delivery

- Sensor
- Safety precautions

## 4. Transport and Storage

### 4.1 Transport

Upon receipt of shipment, the goods must be inspected for damage in transit. In the case of damage, conditionally accept the package and notify the manufacturer of the damage. Then return the device, making reference to damage in transit.

### 4.2 Storage

**The following points must be taken into condition with regard to storage:**

- Do not store the product outdoors.
- Store the product in a dry, dust-free place.
- Protect the product against mechanical impacts.
- Protect the product against exposure to direct sunlight.



**ATTENTION!**

**Risk of property damage in case of improper storage!**

The product may be damaged.

- Storage instructions must be complied with.
-

## 5. Installation and Electrical Connection

### 5.1 Installation

- Protect the product from contamination during installation.
- Observe all applicable electrical and mechanical regulations, standards, and safety rules.
- Protect the product against mechanical influences.
- Make sure that the sensor is mounted in a mechanically secure fashion.
- Specified torque values must be complied with ([see section “3. Technical Data”, page 7](#)).

---

#### **ATTENTION!**



#### **Risk of property damage in case of improper installation!**

The product may be damaged.

- Installation instructions must be complied with.

---

#### **CAUTION!**



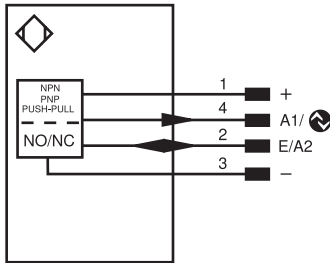
#### **Risk of personal injury or property damage during installation!**

Personal injury and damage to the product may occur.

- A safe installation environment must be assured.
-

## 5.2 Electrical Connection

221



### Legend

+	Supply Voltage +	PT	Platinum measuring resistor	ENaRS422	Encoder A/Ā (TTL)
-	Supply Voltage 0 V	nc	not connected	ENbRS422	Encoder B/B̄ (TTL)
~	Supply Voltage (AC Voltage)	U	Test Input	ENa	Encoder A
A	Switching Output (NO)	Ū	Test Input inverted	ENb	Encoder B
Ā	Switching Output (NC)	W	Trigger Input	AMIN	Digital output MIN
V	Contamination/Error Output (NO)	W-	Ground for the Trigger Input	AMAX	Digital output MAX
∇	Contamination/Error Output (NC)	O	Analog Output	AOK	Digital output OK
E	Input (analog or digital)	O-	Ground for the Analog Output	SY In	Synchronization In
T	Teach Input	BZ	Block Discharge	SY OUT	Synchronization OUT
Z	Time Delay (activation)	AWV	Valve Output	OLT	Brightness output
S	Shielding	a	Valve Control Output +	M	Maintenance
RxD	Interface Receive Path	b	Valve Control Output 0 V	rsv	reserved
TxD	Interface Send Path	SY	Synchronization	Wire Colors according to IEC 60757	
RDY	Ready	SY-	Ground for the Synchronization	BK	Black
GND	Ground	E+	Receiver-Line	BN	Brown
CL	Clock	S+	Emitter-Line	RD	Red
E/A	Output/Input programmable	⊕	Grounding	OG	Orange
	IO-Link	SnR	Switching Distance Reduction	YE	Yellow
PoE	Power over Ethernet	Rx +/-	Ethernet Receive Path	GN	Green
IN	Safety Input	Tx +/-	Ethernet Send Path	BU	Blue
QSSD	Safety Output	Bus	Interfaces-Bus A(+)/B(-)	VT	Violet
Signal	Signal Output	La	Emitted Light disengageable	GY	Grey
Bl_D +/-	Ethernet Gigabit bidirect. data line (A-D)	Mag	Magnet activation	WH	White
ENaRS422	Encoder 0-pulse 0-0̄ (TTL)	RES	Input confirmation	PK	Pink
		EDM	Contactor Monitoring	GNYE	Green/Yellow

### ⚠ DANGER!



#### Risk of personal injury or property damage due to electric current!

Voltage conducting parts may cause personal injury or damage to equipment.

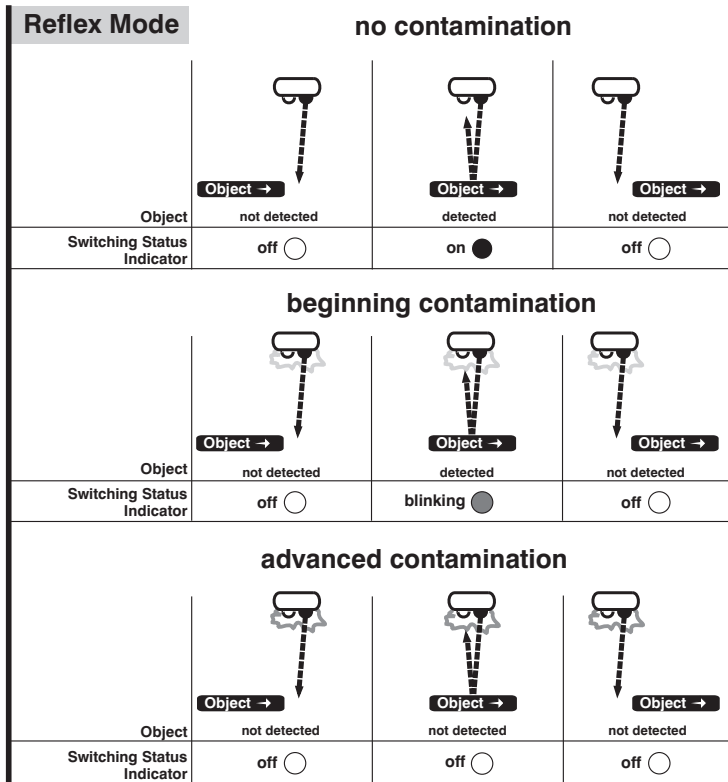
- The electric device may only be connected by appropriately qualified personnel.

## 5.3 Diagnostics

Causes for Triggering the Contamination Warning (blinking LED):

Display LED	Diagnosis/Cause	Elimination
Continuous blinking at approx. 2.5 Hz	Contamination	Carefully clean the optic cover with a cloth.
	Aged emitter diode	Replace the sensor.
	Unreliable working range	<ul style="list-style-type: none"> <li>• Increase the sensor's switching distance.</li> <li>• Reduce distance between sensor and object.</li> </ul>
Continuous blinking at approx. 5 Hz	Short-circuit	Check electrical wiring and eliminate the short-circuit.
	Over-temperature	Disconnect the sensor from supply power and allow it to cool down.
	Hardware error	Replace the sensor.

### Contamination Warning Flowcharts



## 6. Settings

The switching distance to the object can be taught in for both outputs by pressing the teach-in key on the sensor (default setting is foreground teach-in).

### Teach-In for Switching Output 1

1. Mount the sensor in accordance with the mounting instructions.
2. Press and hold the teach-in key until switching status indicator LED A1 starts blinking.
3. Release the teach-in key after 2 seconds.
4. The distance is taught in and the LED at output 1 lights up in order to confirm successful teach-in.

### Teach-In for Switching Output 2

1. Mount the sensor in accordance with the mounting instructions.
2. Press and hold the teach-in key until switching status indicator LED A2 starts blinking.
3. Release the teach-in key after 5 seconds.
4. The distance is taught in and the LED for output 2 lights up in order to confirm successful teach-in.



#### NOTE!

If teach-in is conducted without an object or if the object is too far from the sensor, switching distance is set to the end of the setting range.

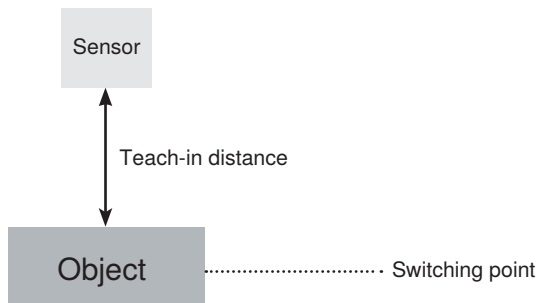
## 7. Settings via IO-Link

Further settings can be entered to the sensor via the IO-Link interface.

### 7.1 Teach Mode

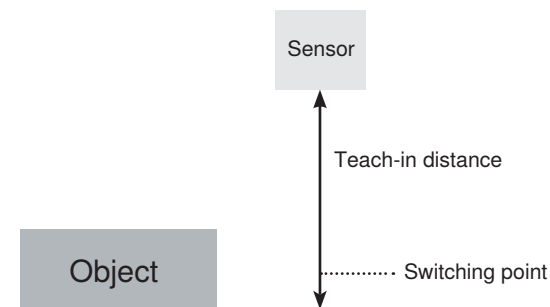
#### 7.1.1 Foreground Teach-In

Teaching in progress while the sensor is focused on the object. The switching distance is then automatically set to a distance which is slightly greater than the clearance between the sensor and the object. The sensor is thus activated for all objects whose distance to the sensor is equal to or less than the distance to the object used for the Teach-In procedure.



### 7.1.2 Background Teach-In

Teach-In is performed while the sensor spot is aligned to the background. The switching distance is then automatically set to a distance which is slightly less than the clearance between the sensor and the background. The sensor is thus activated whenever an object is located between the background and the sensor.



## 7.2 Pin Function, I/O2

The function of I/O2 can be configured either as an output or an input.

### 7.2.1 Input External Teach-In

Teach in output A1 via the teach-in input.

1. Set the E/A2 pin function to external teach-in.

With Ub setting active (default):

2. Apply 18...30 V to pin E/A2 for at least 1 second, but for no more than 4 seconds.
3. As soon as voltage drops at the input, A1 is taught in.

With Ub setting inactive:

2. Disconnect pin I/O2 or connect it to 0 V for at least 1 second, but for no more than 4 seconds.
3. As soon as voltage is applied to the input, O1 is taught in.

### Locking

If the teach-in input is continuously activated, the teach-in key is locked and protected against inadvertent changes.

1. Change the E/A2 pin function to external teach-in input.

With Ub setting active (default):

2. Permanently connect pin E/A2 to voltage within a range of 18 to 30 V DC.
3. The sensor is protected against inadvertent changes caused by the teach-in key.

With Ub setting inactive:

2. Permanently disconnect pin I/O2 or connect it to 0 V.
3. The sensor is protected against inadvertent changes caused by the teach-in key.

### 7.2.2 Error Output

The error output is switched in the following cases:

- Contamination
- Aged emitter diode
- Unreliable working range
- Short-circuit
- Over-temperature
- Hardware error

### 7.3 Additional functions and settings via IO-Link

- PNP/NPN/push-pull
- NC/NO
- Switching hysteresis
- On/off-delay
- Operating mode
- Switch emitted light off
- Test mode
- Data storage

## 8. I/O-Link

Process and parameters data, as well as the IODD, can be found at [www.wenglor.com](http://www.wenglor.com) in the product's separate download area.

## 9. Maintenance Instructions

### NOTE!



- This wenglor sensor is maintenance-free.
- Cleaning and inspection of the plug connections at regular intervals are advisable.
- Do not clean the sensor with solvents or cleansers which could damage the product.
- The product must be protected against contamination during initial start-up.

## 10. Proper Disposal

wenglor sensoric GmbH does not accept the return of unusable or irreparable products. Respectively valid national waste disposal regulations apply to product disposal.

## 11. Appendix

### 11.1 List of Abbreviations

Abbreviation	Meaning
Tu	Ambient temperature
Ub	Supply voltage
IODD	IO Device Description
MTTFd	Mean Time to Dangerous Failure

### 11.2 Change Index, Operating Instructions

Version	Date	Description/Change
1.0.0	21.03.23	Initial version of the operating instructions

### 11.3 Declarations of Conformity

The declarations of conformity can be found on our website at [www.wenglor.com](http://www.wenglor.com) in the product's download area.