

# Dome Light

Red-cyan light, 80 mm

## LMDX101

Part Number



- 4 sectors selectable
- Bicolor
- No external control required
- Overdrive
- Quick and easy replacement of accessories

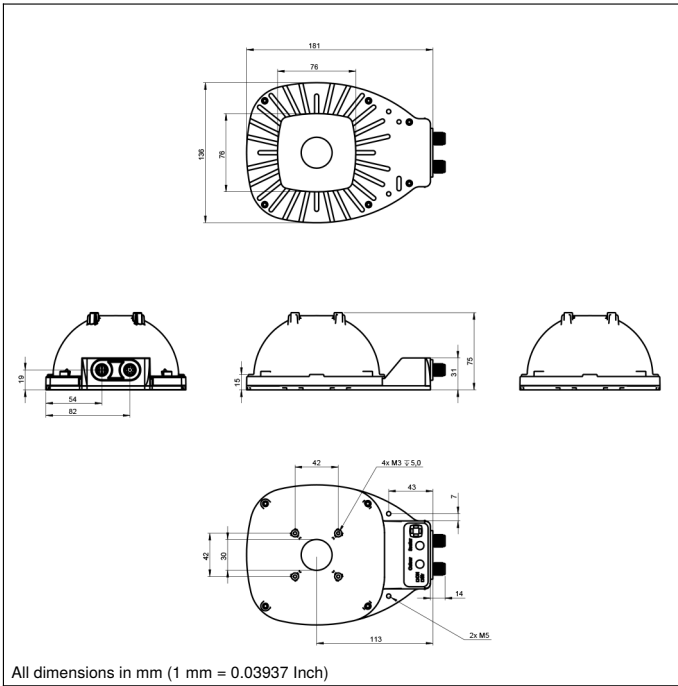
wenglor LMDX series dome lights are particularly suited for homogeneous illumination of glossy parts and demanding surfaces, such as bent metal. The dome is designed to shield the environment and efficiently capture all the light emitted by the ring-shaped light source. This makes it the ideal product for applications with exposure times as low as 100  $\mu$ s. The product can be operated in continuous mode or synchronized with the machine vision camera in strobe mode with increased intensity (overdrive).

### Technical Data

Optical Data	
Light Source	Red-cyan light
Wavelength	625...505 nm
Red light output	123 W/m <sup>2</sup>
Cyan light output	64 W/m <sup>2</sup>
Measuring point distance	20 mm
Environmental conditions	
Temperature Range	-10...40 °C
Storage temperature	-20...60 °C
Atmospheric humidity	< 80%, non-condensing
Electrical Data	
Supply Voltage	21,6...26,4 V DC
Power	9,12 W
Peak power	51,12 W
Current Consumption Continuous Mode (U <sub>b</sub> = 24 V)	0,38 A
Current consumption flash mode overdrive (operating voltage = 24 V)	2,13 A
Flash Duration (max.)	2 ms
Duty Cycle (max.)	< 0,1
Rise time	15 $\mu$ s
Fall time	10 $\mu$ s
Input signal	PNP/NPN
Short Circuit Protection	yes
Reverse Polarity Protection	yes
Overload Protection	yes
Protection Class	III
Dimming	0...10 V $\pm$ 100...30%
Overdrive	yes
Mechanical Data	
Housing Material	Aluminum, anodised
Housing Material	Plastic, ABS
Housing Material	Plastic, PMMA
Degree of Protection	IP65
UL Enclosure Type	1
Optic Cover	Plastic, PMMA
Connection	M12 $\times$ 1; 5-pin
Max. cable length	40 m
Camera aperture inner diameter	80 mm
Function	
Operating modes	Continuous, Strobe Overdrive
Connection Diagram No.	007
Control Panel No.	T18
Suitable Mounting Technology No.	927

### Complementary Products

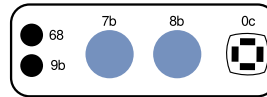
ZC4G003 connection cable
ZDCG004 connection cable
ZDCG005 connection cable



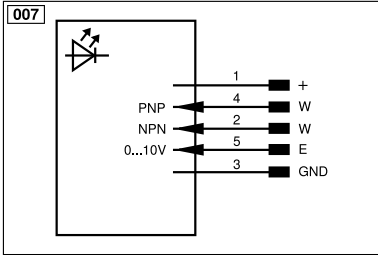
All dimensions in mm (1 mm = 0.03937 Inch)

### Ctrl. Panel

T18



- 0c = sector selection indicator
- 68 = supply voltage indicator
- 7b = Color Selection Button
- 8b = Sector Selection Button
- 9b = Strobe Mode Indicator



Legend			
+	Supply Voltage +	nc	Not connected
-	Supply Voltage 0 V	U	Test Input
~	Supply Voltage (AC Voltage)	Ū	Test Input inverted
A	Switching Output (NO)	W	Trigger Input
Ā	Switching Output (NC)	W-	Ground for the Trigger Input
V	Contamination/Error Output (NO)	O	Analog Output
ȳ	Contamination/Error Output (NC)	O-	Ground for the Analog Output
E	Input (analog or digital)	BZ	Block Discharge
T	Teach Input	Amv	Valve Output
Z	Time Delay (activation)	a	Valve Control Output +
S	Shielding	b	Valve Control Output 0 V
RxD	Interface Receive Path	SY	Synchronization
TxD	Interface Send Path	SY-	Ground for the Synchronization
RDY	Ready	E+	Receiver-Line
GND	Ground	S+	Emitter-Line
CL	Clock	±	Grounding
E/A	Output/Input programmable	SnR	Switching Distance Reduction
IO-Link		Rx+/-	Ethernet Receive Path
PoE	Power over Ethernet	Tx+/-	Ethernet Send Path
IN	Safety Input	Bus	Interfaces-Bus A(+)/B(-)
OSSD	Safety Output	La	Emitted Light disengageable
Signal	Signal Output	Mag	Magnet activation
BI_D+/-	Ethernet Gigabit bidirect. data line (A-D)	RES	Input confirmation
ENo RS422	Encoder 0-pulse 0/0 (TTL)	EDM	Contactor Monitoring
PT	Platinum measuring resistor	ENARs422	Encoder A/Ā (TTL)
			Encoder B/Ĕ (TTL)
			Encoder A
			Encoder B
			Digital output MIN
			Digital output MAX
			Digital output OK
			Synchronization In
			Synchronization OUT
			Brightness output
			Maintenance
			Reserved
			Wire Colors according to DIN IEC 60757
			BK Black
			BN Brown
			RD Red
			OG Orange
			YE Yellow
			GN Green
			BU Blue
			VT Violet
			GY Grey
			WH White
			PK Pink
			GNYE Green/Yellow

