

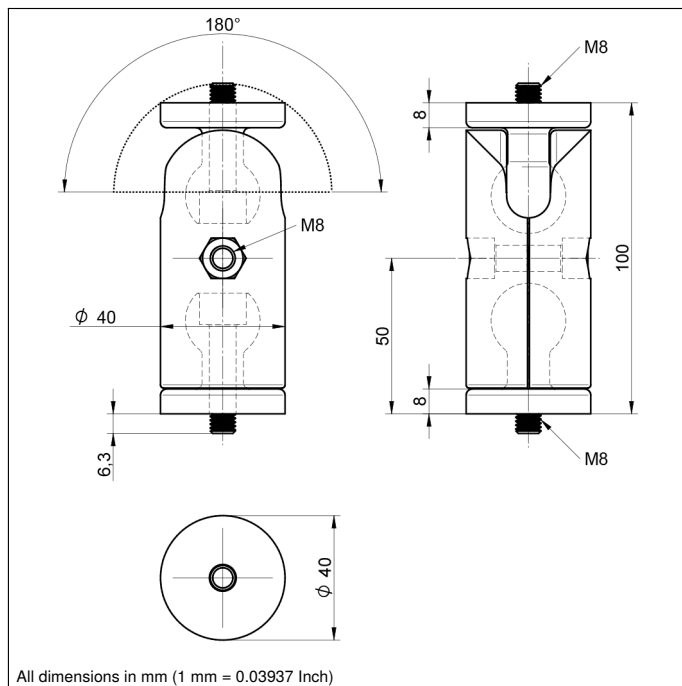


**Technical Data**

Mechanical Data	
Height	100 mm
Diameter	40 mm
Thread	M8
Mounting type, device-side	Screwable to mounting plate
Mounting type, system-side	Aluminum profile
Material	Steel, galvanized
Material	White aluminum, RAL 9006
Scope of delivery	2 × joint halves; 2 × ball-and-socket joints; 3 × screws
Packaging unit	1 Piece
Mounting Number	<b>430</b>   <b>560</b>   <b>580</b>

- Easy alignment
- Flexible mounting options
- Rugged aluminium housing

The robust mounting system can be mounted on aluminum profiles. The additional adapter enables the mounting and flexible alignment of various image processing products and 1D/2D code scanners.



**Complementary Products**

- ZNNC001 Adapter
- ZNNC002 Adapter

