

# 1D/2D Code Scanner

## C5PC121

Part Number

IndustrialEthernet



- Auto-button function
- Integrated code reconstruction
- Integrated LED illumination
- PROFINET and EtherNet/IP™
- Web link

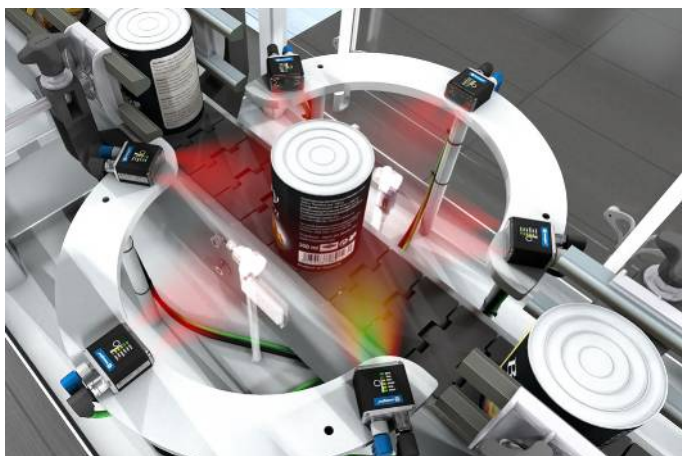
These 2D code scanners are suitable for omnidirectional scanning of 1D and 2D codes.

The following code types can be processed:

1D codes: Code39, Code93, Code128, UPC/EAN, BC412, Interleaved 2 of 5, Codabar, Postal Codes, Pharmacode

2D codes: DataMatrix ECC 0...200, PDF417, Micro PDF417, QR-Code, Micro QR-Code, Aztec Code, GS1 Databar, Dot code

Additional code types upon request.

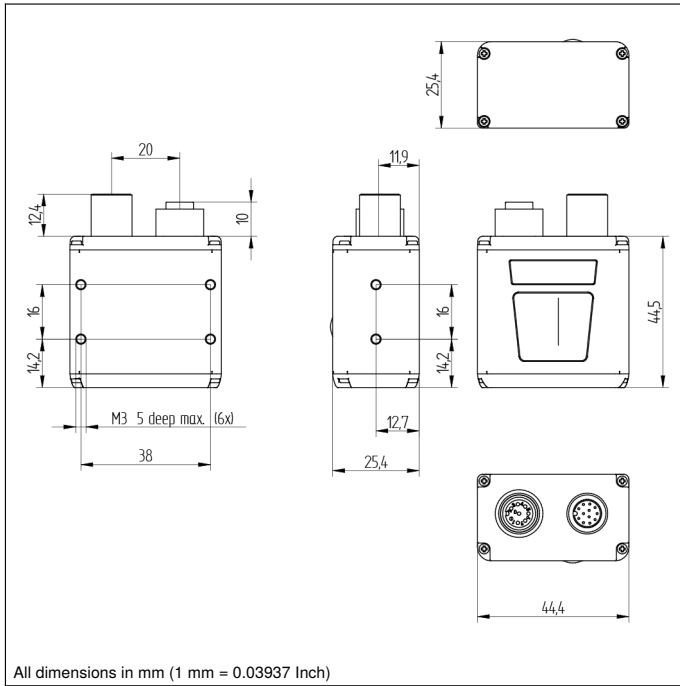


### Technical Data

Optical Data	
Barcode Density	High density
Read Range	50...300 mm
Resolution	2592 × 1944 Pixel
Resolution	5 MP
Focal distance	7,7 mm
Pixel Size	1,75 × 1,75 µm
Light Source	White Light
Wavelength	617 nm
Focus	Autofocus
min. Resolution	> 0,051 mm
Environmental conditions	
Temperature Range	0...45 °C
Atmospheric humidity	5...95%, non-condensing
Electrical Data	
Supply Voltage	5...30 V DC
Current Consumption (U <sub>b</sub> = 24 V)	180 mA
Scan Rate	5 scans/sec
Switching Output	Optoisolator
Number of Switching Outputs	3
Switching Output/Switching Current	< 100 mA
Reverse Polarity Protection	yes
Interface	RS-232/Ethernet
Trigger Input	Optoisolator
Signal Input	Optoisolator
Number of Signal Inputs	3
Mechanical Data	
Setting Method	Ethernet
Housing Material	Aluminum, anodised
Optic Cover	Plastic, PMMA
Degree of Protection	IP65/IP67
UL Enclosure Type	1
Connection	M12 × 1; 12-pin
Type of Connection Ethernet	M12 × 1; 8-pin
Minimum object distance	50 mm
PNP NO/NC switchable	●
NPN NO/NC switchable	●
Ethernet	●
PROFINET-I/O, CC-B	●
EtherNet/IP™	●
Connection Table No.	<b>39</b>
Control Panel No.	<b>A24</b>
Suitable Connection Equipment No.	<b>87</b>
Suitable Mounting Technology No.	<b>430</b>

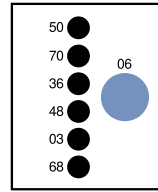
### Complementary Products

Connection Cable ZCYV00x
Path-Folding Mirror ZNNG028
Protective Housing ZSV-0x-01
Software
ZDCG005 connection cable
ZNNG053 Replacement disc
ZNNG054 Optical diffuser
ZNNG055 Polarization filter
ZNNG056 ESD protective screen
ZNNG057 YAG filter



## Ctrl. Panel

A24



- 03 = Error Indicator
- 06 = Teach Button
- 36 = Mode Indicator
- 48 = Network Status
- 50 = Good Read
- 68 = Power LED
- 70 = Run/Trigger

Distance	Max. Field of View	Min. Resolution	Read Range	
			1D	2D
50 mm	34 × 25 mm	0,051 mm	50...64 mm	50 mm
100 mm	64 × 48 mm	0,064 mm	50...81 mm	50...64 mm
150 mm	94 × 70 mm	0,084 mm	50...102 mm	50...81 mm
200 mm	123 × 92 mm	0,127 mm	50...150 mm	50...133 mm
250 mm	153 × 114 mm	0,191 mm	50...260 mm	50...220 mm
300 mm	183 × 136 mm	0,254 mm	50...350 mm	50...280 mm
		0,381 mm	50...400 mm	50...400 mm

