

1D/2D Code Scanner

C5PC102

Part Number

IndustrialEthernet



- Auto-button function
- Integrated code reconstruction
- Integrated LED illumination
- PROFINET and EtherNet/IP™
- Web link

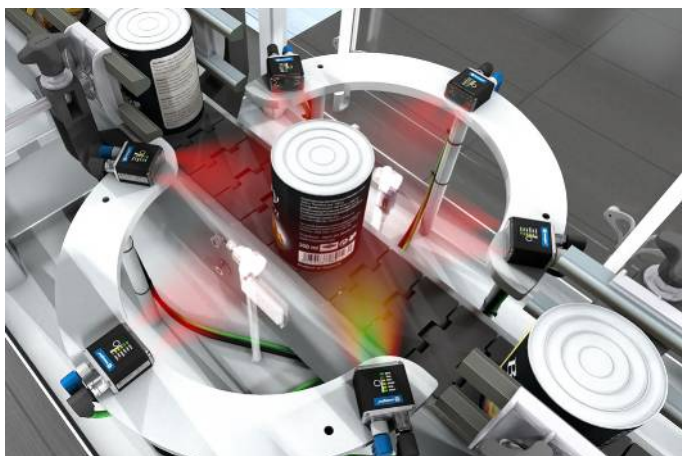
These 2D code scanners are suitable for omnidirectional scanning of 1D and 2D codes.

The following code types can be processed:

1D codes: Code39, Code93, Code128, UPC/EAN, BC412, Interleaved 2 of 5, Codabar, Postal Codes, Pharmacode

2D codes: DataMatrix ECC 0...200, PDF417, Micro PDF417, QR-Code, Micro QR-Code, Aztec Code, GS1 Databar, Dot code

Additional code types upon request.



Technical Data

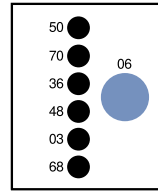
| Optical Data | |
|---|-------------------------|
| Barcode Density | Standard density |
| Read Range | 102 mm |
| Resolution | 752 × 480 Pixel |
| Resolution | 0,36 MP |
| Focal distance | 5,2 mm |
| Pixel Size | 6 × 6 μm |
| Light Source | Red Light |
| Wavelength | 617 nm |
| Focus | Fix |
| X-Dimension | 95 mm |
| Y-Dimension | 60 mm |
| min. Resolution | > 0,381 mm |
| Environmental conditions | |
| Temperature Range | 0...45 °C |
| Atmospheric humidity | 5...95%, non-condensing |
| Electrical Data | |
| Supply Voltage | 5...30 V DC |
| Current Consumption (U _b = 24 V) | 180 mA |
| Scan Rate | 60 scans/sec |
| Switching Output | Optoisolator |
| Number of Switching Outputs | 3 |
| Switching Output/Switching Current | < 100 mA |
| Reverse Polarity Protection | yes |
| Interface | RS-232/Ethernet |
| Trigger Input | Optoisolator |
| Signal Input | Optoisolator |
| Number of Signal Inputs | 3 |
| Mechanical Data | |
| Setting Method | Ethernet |
| Housing Material | Aluminum, anodised |
| Optic Cover | Plastic, PMMA |
| Degree of Protection | IP65/IP67 |
| UL Enclosure Type | 1 |
| Connection | M12 × 1; 12-pin |
| Type of Connection Ethernet | M12 × 1; 8-pin |
| Minimum object distance | 100 mm |
| PNP NO/NC switchable | ● |
| NPN NO/NC switchable | ● |
| Ethernet | ● |
| PROFINET-I/O, CC-B | ● |
| EtherNet/IP™ | ● |
| Connection Table No. | 39 |
| Control Panel No. | A24 |
| Suitable Connection Equipment No. | 87 |
| Suitable Mounting Technology No. | 430 |

Complementary Products

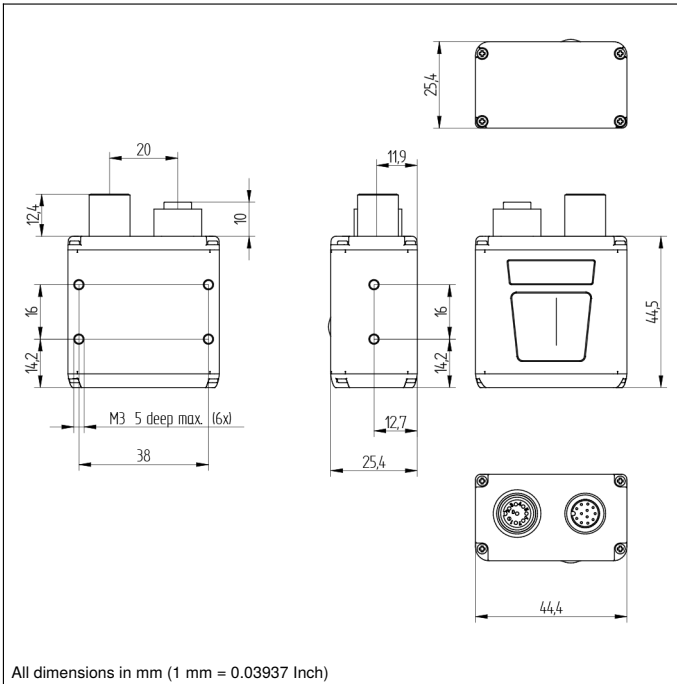
| |
|-------------------------------|
| Connection Cable ZCYV00x |
| Path-Folding Mirror ZNNG028 |
| Protective Housing ZSV-0x-01 |
| Software |
| ZDCG005 connection cable |
| ZNNG053 Replacement disc |
| ZNNG054 Optical diffuser |
| ZNNG055 Polarization filter |
| ZNNG056 ESD protective screen |
| ZNNG057 YAG filter |

Ctrl. Panel

A24



- 03 = Error Indicator
- 06 = Teach Button
- 36 = Mode Indicator
- 48 = Network Status
- 50 = Good Read
- 68 = Power LED
- 70 = Run/Trigger



All dimensions in mm (1 mm = 0.03937 Inch)

