

1D/2D Code Scanner

C5PC112

Part Number

IndustrialEthernet



- Auto-button function
- Integrated code reconstruction
- Integrated LED illumination
- PROFINET and EtherNet/IP™
- Web link

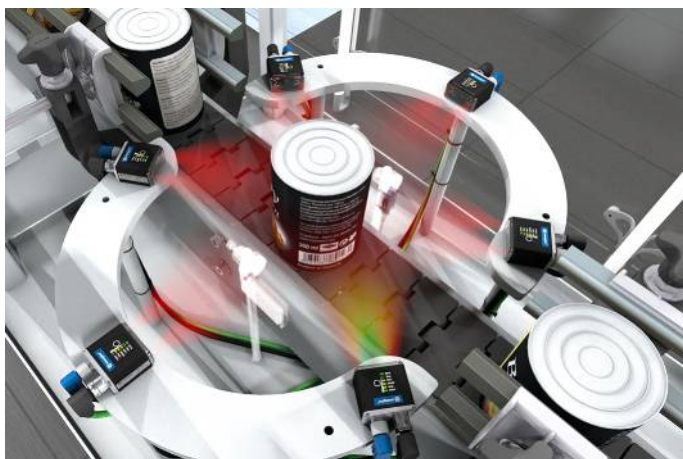
These 2D code scanners are suitable for omnidirectional scanning of 1D and 2D codes.

The following code types can be processed:

1D codes: Code39, Code93, Code128, UPC/EAN, BC412, Interleaved 2 of 5, Codabar, Postal Codes, Pharmacode

2D codes: DataMatrix ECC 0...200, PDF417, Micro PDF417, QR-Code, Micro QR-Code, Aztec Code, GS1 Databar, Dot code

Additional code types upon request.



Technical Data

Optical Data	
Barcode Density	Long range
Read Range	50...1200 mm
Resolution	1280 × 960 Pixel
Resolution	1,2 MP
Focal distance	16 mm
Pixel Size	3,75 × 3,75 μm
Light Source	Red Light
Wavelength	617 nm
Focus	Autofocus
min. Resolution	> 0,051 mm

Environmental conditions	
Temperature Range	0...45 °C
Atmospheric humidity	5...95%, non-condensing

Electrical Data	
Supply Voltage	5...30 V DC
Current Consumption (U _b = 24 V)	180 mA
Scan Rate	42 scans/sec
Switching Output	Optoisolator
Number of Switching Outputs	3
Switching Output/Switching Current	< 100 mA
Reverse Polarity Protection	yes
Interface	RS-232/Ethernet
Trigger Input	Optoisolator
Signal Input	Optoisolator
Number of Signal Inputs	3

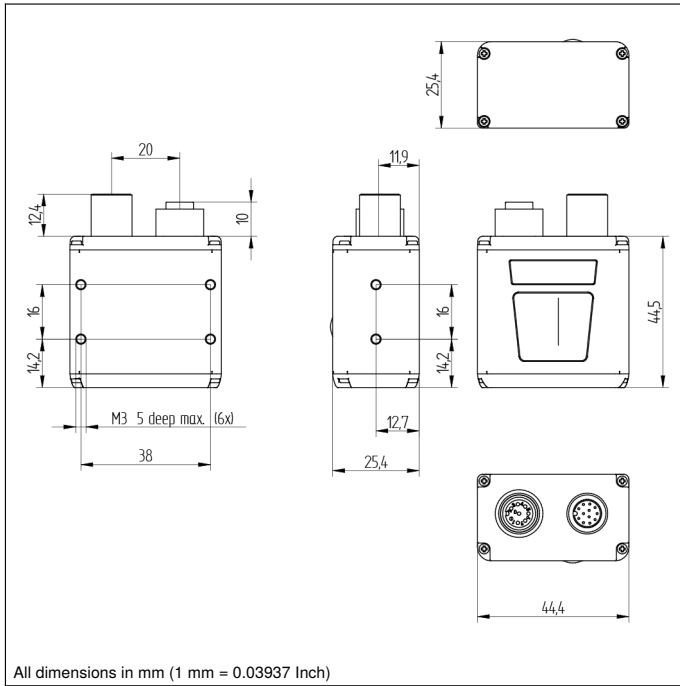
Mechanical Data	
Setting Method	Ethernet
Housing Material	Aluminum, anodised
Optic Cover	Plastic, PMMA
Degree of Protection	IP65/IP67
UL Enclosure Type	1
Connection	M12 × 1; 12-pin
Type of Connection Ethernet	M12 × 1; 8-pin
Minimum object distance	75 mm

PNP NO/NC switchable	●
NPN NO/NC switchable	●
Ethernet	●
PROFINET-I/O, CC-B	●
EtherNet/IP™	●

Connection Table No.	39
Control Panel No.	A24
Suitable Connection Equipment No.	87
Suitable Mounting Technology No.	430

Complementary Products

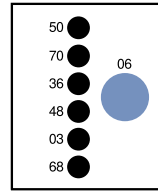
Connection Cable ZCYV00x
Path-Folding Mirror ZNNG028
Protective Housing ZSV-0x-01
Software
ZDCG005 connection cable
ZNNG053 Replacement disc
ZNNG054 Optical diffuser
ZNNG055 Polarization filter
ZNNG056 ESD protective screen
ZNNG057 YAG filter



All dimensions in mm (1 mm = 0.03937 Inch)

Ctrl. Panel

A24



- 03 = Error Indicator
- 06 = Teach Button
- 36 = Mode Indicator
- 48 = Network Status
- 50 = Good Read
- 68 = Power LED
- 70 = Run/Trigger

Distance	Max. Field of View	Min. Resolution	Read Range	
			1D	2D
75 mm	24 × 18 mm	0,051 mm	100...125 mm	-
100 mm	31 × 23 mm	0,064 mm	100...140 mm	100...120 mm
200 mm	60 × 45 mm	0,084 mm	100...190 mm	100...150 mm
300 mm	89 × 67 mm	0,127 mm	100...280 mm	100...210 mm
400 mm	118 × 88 mm	0,191 mm	100...450 mm	100...310 mm
500 mm	147 × 110 mm	0,254 mm	100...600 mm	100...420 mm
600 mm	176 × 132 mm	0,381 mm	100...900 mm	100...680 mm
700 mm	204 × 153 mm	0,508 mm	100...1200 mm	100...900 mm
800 mm	233 × 175 mm	0,762 mm	100...1500 mm	100...1300 mm
900 mm	262 × 197 mm	1,016 mm	100...1500 mm	100...1500 mm
1000 mm	291 × 218 mm			
1200 mm	349 × 262 mm			
1300 mm	378 × 283 mm			
1400 mm	407 × 305 mm			
1500 mm	436 × 327 mm			

