

# Mounting System for 50 × 50 × 20 mm

## OPT315

Part Number



### Technical Data

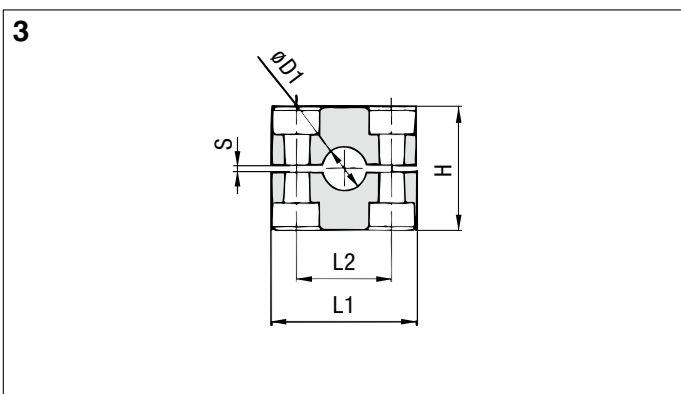
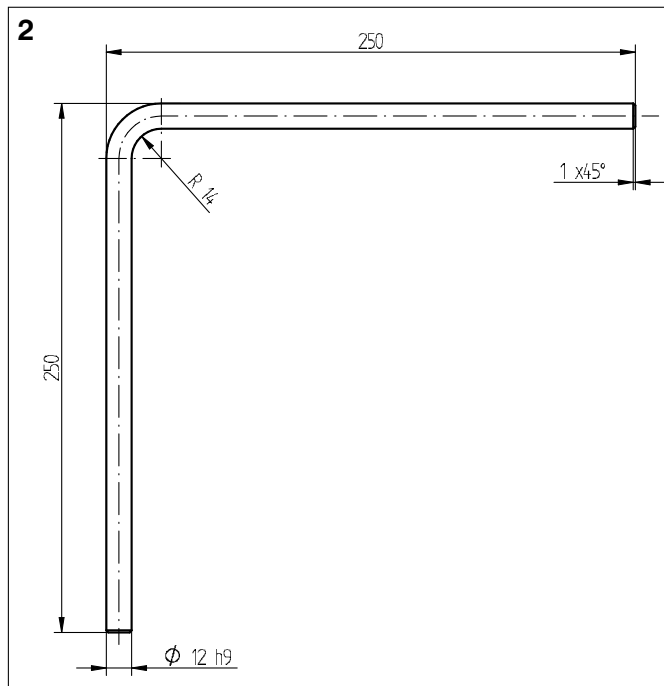
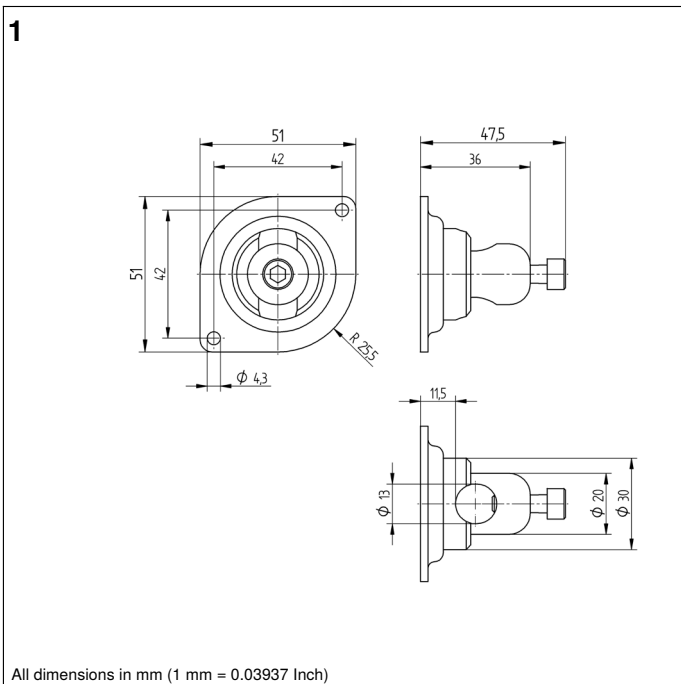
#### Mechanical Data

Material	Aluminum
Material Mounting Head	Aluminum
Material Mounting Plate	Stainless Steel V2A
Rod length	500 mm
Packaging unit	1 Piece
Mounting Number	<b>380</b>

- Aluminum
- Flexible alignment possibilities
- For 50 × 50 × 20 mm
- Simple installation



- Set includes mounting system for sensor (1), rod  $\varnothing$  12 mm angled (2), mounting clamp (3)



- D1 = 12 mm
- L1 = 37 mm
- L2 = 20 mm
- H = 27 mm
- S min. = 0,4 mm
- Width = 30 mm

