

Reflector

61 × 51,5 × 7 mm

ZRME03B01

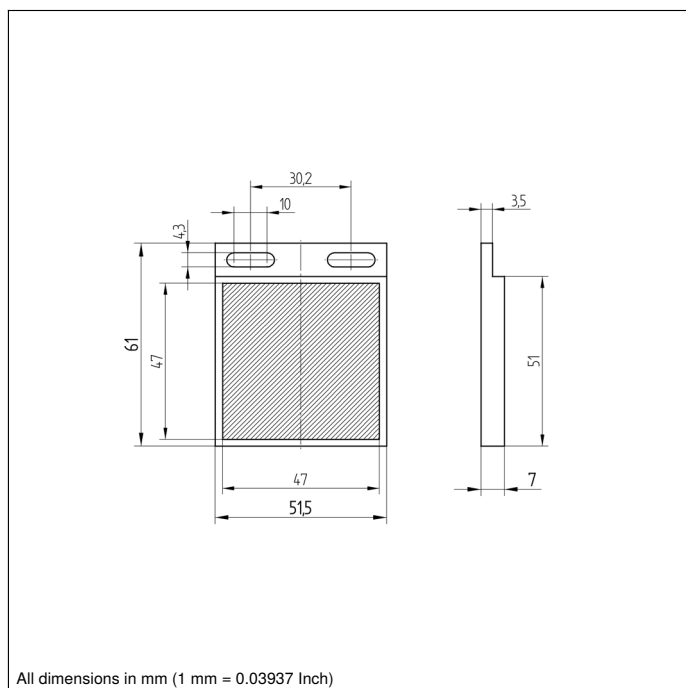
Part Number



Technical Data

Mechanical Data	
Structure	Microstructure
Mounting Type	Fixing Holes
Material	Plastic, chemically resistant
Degree of Protection	IP68/IP69K
Temperature Range	-20...150 °C
Packaging unit	1 Piece
Detergent resistant	●
Anti-Fog*	●
Suitable Mounting Technology No.	390

- Anti-Fog*
- Microstructure, with fixing holes
- Resistant to cleaning agents
- Waterproof (IP68/IP69K)



* coating is not permanently resistant to cleaning