

# Plastic Fiber-Optic Cable

## Through-Beam Mode

# K20

Part Number

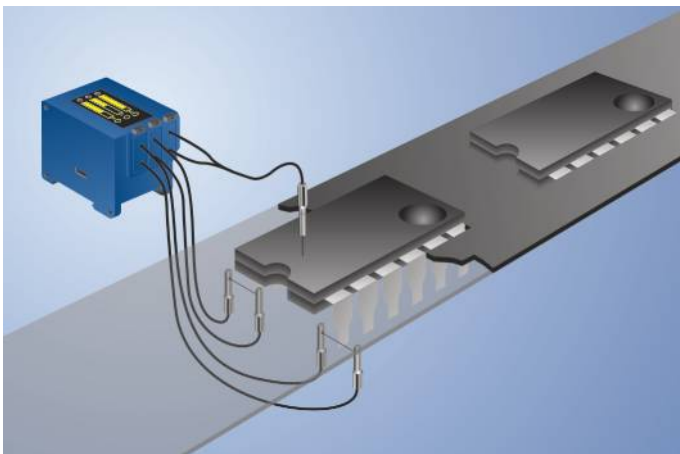


- Especially suitable in applications where only minimal space is available
- Fiber-optic cable can be cut to length by the cutting tool

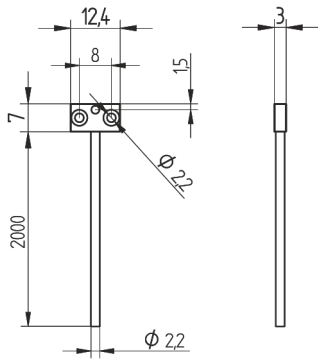
### Technical Data

Optical Data	
Fiber Core Diameter	1 mm
Fiber	Step Index
Fiber Distribution	parallel arrangement
Range with Sensor Type	200 mm
Opening Angle	55 °
Mechanical Data	
Temperature Range	-40...85 °C
Bending Radius	20 mm
Fiber-Optic Length L	2 m
Jacket Material	Plastic, PE
Fiber Optic Material	Plastic, PMMA
Material End Sleeve	Aluminum, anodised
Jacket Diameter	2,2 mm
Light Emission	sidewise
Packaging unit	1 Piece

Plastic fiber-optic cables are very flexible and suitable for use in confined spaces. The fiber optics are supplied in 2 m lengths. Special lengths of up to 50 m are possible. Users can shorten the fiber optics using the Z0015 cutting tool.



**K20**



All dimensions in mm (1 mm = 0.03937 Inch)

