

1D/2D Code Scanner

C5KC001

Part Number



- Auto-button function
- Integrated code reconstruction
- Integrated LED illumination
- Web link

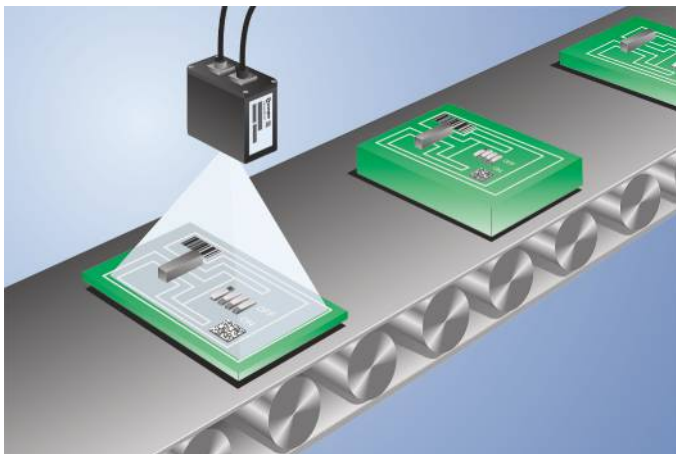
These 2D code scanners are suitable for omnidirectional scanning of 1D and 2D codes.

The following code types can be processed:

1D codes: Code39, Code93, Code128, UPC/EAN, BC412, Interleaved 2 of 5, Codabar, Postal Codes, Pharmacode

2D codes: DataMatrix ECC 0...200, PDF417, Micro PDF417, QR-Code, Micro QR-Code, Aztec Code, GS1 Databar, Dot code

Additional code types upon request.



Technical Data

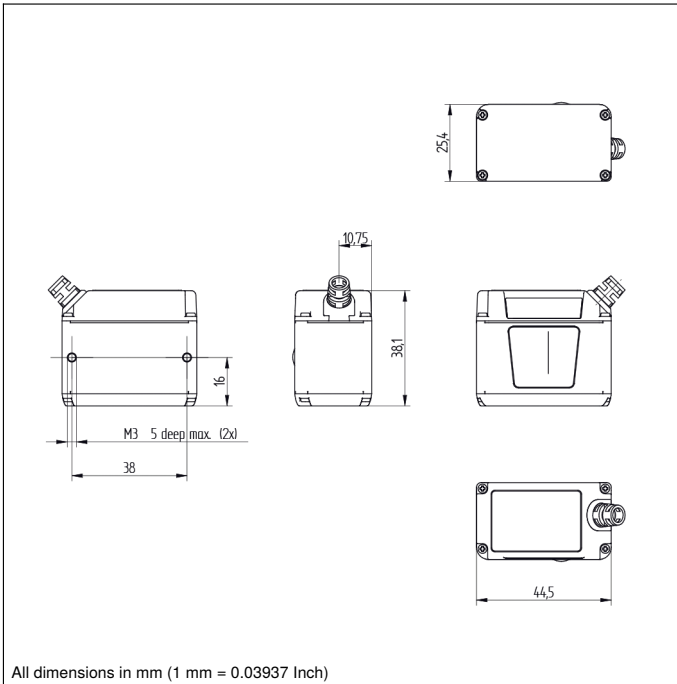
Optical Data	
Barcode Density	Standard density
Resolution	1280 × 960 Pixel
Resolution	1,2 MP
Focal distance	5,2 mm
Pixel Size	3,75 × 3,75 μm
Light Source	Red Light
Wavelength	617 nm
Service Life (T = +25 °C)	50000 h
Environmental conditions	
Temperature Range	0...40 °C
Electrical Data	
Supply Voltage	5 V DC
Current Consumption (Ub = 24 V)	600 mA
Scan Rate	10 scans/sec
Switching Output	TTL
Number of Switching Outputs	3
Switching Output/Switching Current	< 100 mA
Reverse Polarity Protection	yes
Interface	USB/RS-232
Trigger Input	Optoisolator
Signal Input	Optoisolator
Number of Signal Inputs	3
Mechanical Data	
Housing Material	Aluminum, anodised
Optic Cover	Plastic, PMMA
Degree of Protection	IP54
UL Enclosure Type	1
Connection	SubD 15-pin
Minimum object distance	50 mm
Connection Table No.	58
Control Panel No.	A24
Suitable Connection Equipment No.	74
Suitable Mounting Technology No.	430

Complementary Products

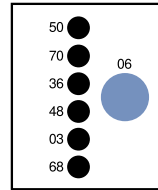
Connection Box AB-0003-1
Interface cable ZDNV007
Optical diffuser
Path-Folding Mirror ZNNG028
Protective Housing ZSV-0x-01
Software

Ctrl. Panel

A24



All dimensions in mm (1 mm = 0.03937 Inch)



03 = Error Indicator
 06 = Teach Button
 36 = Mode Indicator
 48 = Network Status
 50 = Good Read
 68 = Power LED
 70 = Run/Trigger

Object Distance	Max. Field of View	Min. Resolution	Read Range	
			1D	2D
50	57,2 × 42,9 mm			
64	73,0 × 54,8 mm	0,084 mm	45...65 mm	—
81	88,9 × 66,7 mm	0,127 mm	45...106 mm	45...55 mm
102	109,5 × 82,2 mm	0,190 mm	45...162 mm	45...85 mm
133	141,3 × 106,0 mm	0,254 mm	45...218 mm	45...116 mm
190	200,0 × 150,0 mm	0,381 mm	45...300 mm	45...178 mm
300	314,3 × 235,7 mm	0,508 mm	45...300 mm	45...240 mm