

# 1D/2D Handheld Scanner

## CSHH001


Part Number



- **Decoding of DPM codes (e.g. needle-punched, etched or embossed codes)**
- **Excellent reading performance on glossy or curved surfaces**
- **Innovative illumination technology**
- **Rugged housing design**

These wenglor handheld scanners are suitable for mobile use with needle punched, printed, laser printed and etched 1D and 2D barcodes on a wide variety of different materials. Good scanning results are even obtained with poor code quality. Readable code types: DataMatrix, DataMatrix rectangle extension, QR codes, micro QR codes, QR model 1, Aztec code, PDF417, composite, Grid Matrix, Maxicode, micro PDF417, PDF417, code 11, code 32, code 39, code 49, code 128, interleaved 2 of 5, Telepen, MSI Plessey, Plessey, Pharmacode, UPC/EAN/JAN, Codabar, Codablock F, GS1 Databar, GS1 composite, Planet, Code93, BC412, Postal Codes.

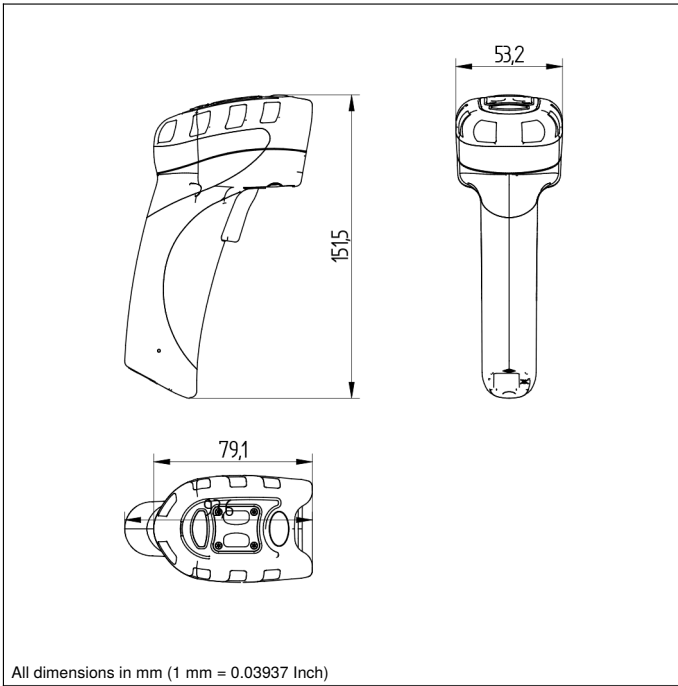
### Technical Data

Optical Data	
Read Range	0...51 mm
Resolution	1280 × 960 Pixel
Light Source	Red Light/Blue Light
Max. Ambient Light	97000 Lux
Barcode Printing Contrast	> 15 %
Environmental conditions	
Temperature Range	-20...55 °C
Electrical Data	
Supply Voltage	5 V DC
Power Consumption	2040 mW
Interface	USB
Acoustic signal	yes
Vibration signal	yes
Visual signal	yes
Mechanical Data	
Housing Material	Plastic, PC
Degree of Protection	IP54
Connection	Prewired
Cable Length	1,8 m
Shock Resistance	> 50 *
Halogen-free	yes
DPM codes	yes
Scope of delivery	1 × handheld scanner, 1 × ZDNU002
USB Interface	
Suitable Mounting Technology No.	<b>432</b>

\* Falls from 1.8 m height onto concrete

### Complementary Products

Interface Cable ZDNU001  
Software



Min. Resolution	Code	Read Range
0,076 mm	Code39	80...102 mm
0,190 mm	Code 39	33...182 mm
0,267 mm	GS1 DataBar	20...220 mm
0,330 mm	UPC	28...280 mm
0,107 mm	DataMatrix	48...110 mm
0,127 mm	DataMatrix	43...115 mm
0,16 mm	DataMatrix	33...150 mm
0,254 mm	DataMatrix	20...180 mm
0,528 mm	DataMatrix	28...343 mm